

1. Assign a device location considering the space requirement (impact area). Slide direction recommended: north-east or in half-shade of trees.
2. Excavate soil for foundations, according to drawing.
Please note: To achieve maximum stability and safe installation, a moderate level of soil solubility is required.
3. Pour in a drain layer of gravel of approx. 10 cm thickness between the bottom of the tubular pedestals and plain base of foundation.
4. Insert reinforcing steel into the corresponding holes of the tubular pedestals.
5. Place posts type A (see foundation layout) according to the corresponding number (e.g. 001 0-30251-701) into the respective foundation hole. Play level mark (=aluminium blind rivet) complies with the installation depth. Align every post by means of the play level mark facing into the same direction (see detail or foundation layout).

6. For installation of the pre-assembled components and/or single parts, the screws slightly have to be lubricated with installation paste!

Screw together platform and posts by using the middle hole in the mounting brackets. The sandbox borderings below seats and conductor pipe only have to be stuck into the respective drills of the corresponding posts.

Tighten all screws after having aligned all components.

Install the slide exit with an inclination of 5° in sliding direction.

Screw connections see details in list of screw cases attached.

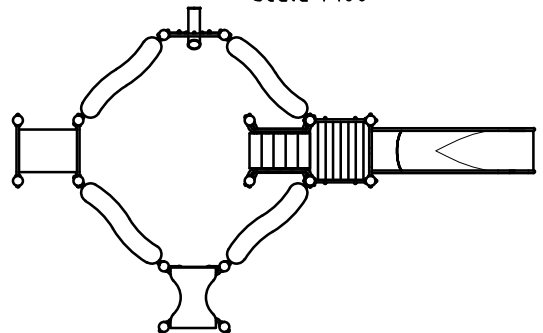
We recommend not to insert the protection caps enclosed before first maintenance as they are only suitable for one-time use (see description in item No. 9).

7. Grout foundations with compressed concrete C20/25, chamfer and round off the edges, cover the foundations with a surface which meets the requirements for impact attenuation so that the critical fall height of the surfacing shall be equal to, or greater than, the free height of fall of the equipment (acc. to EN 1176-1).
8. Release for play after concrete foundations have set.
9. According to maintenance instructions, check all screw connections after 4-5 weeks and retighten, if necessary. Afterwards cover the screw heads with protection caps as follows: Insert grey protection caps into the countersunk drills (e.g. for posts). The non-countersunk drills (e.g. for railings or a slide) have to be covered with the red protection caps by placing them onto the base part. Strongly pound them (e.g. by using a plastic mallet) until they audibly snap into the base part groove.

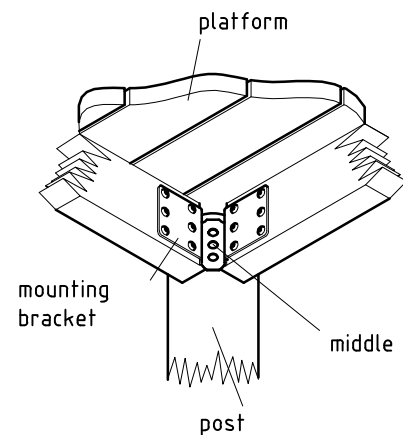
Please ensure that all special tools supplied (e.g. Allen key for secured Allen screws etc.) and all specific documents which are or may be useful for safety management acc. to EN 1176-7 (e.g. invoice, delivery note, order acknowledgement, installation instructions, maintenance instructions) are forwarded to the persons responsible.

Necessarily insert all attachment parts (infills, handrails etc.) before tightening the screws. It is NOT possible to insert them afterwards.

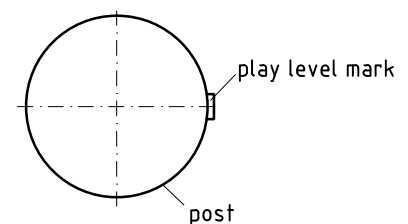
platform orientation
scale 1:100

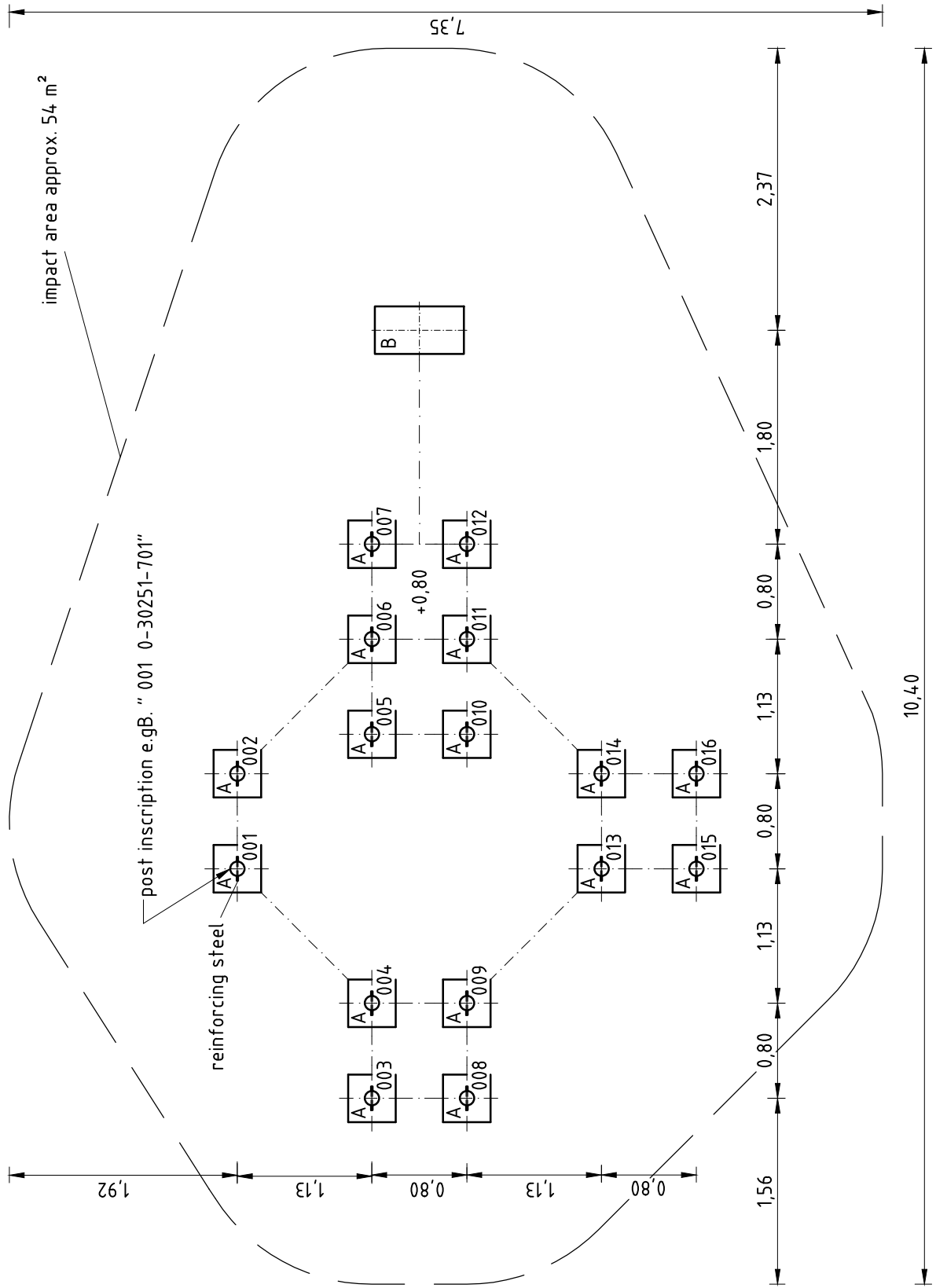


platform fastening
scale 1:10



detail play level mark
scale 1:5





Installation

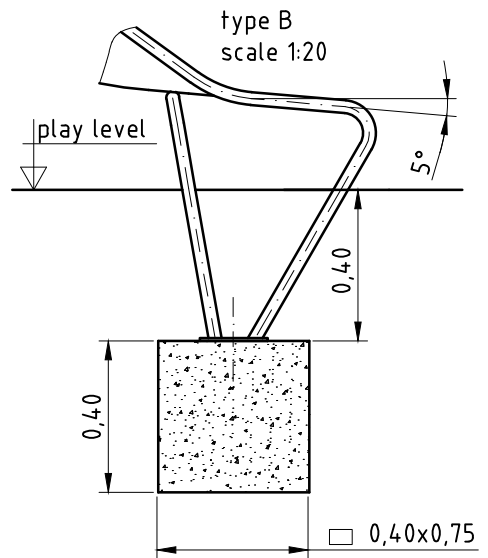
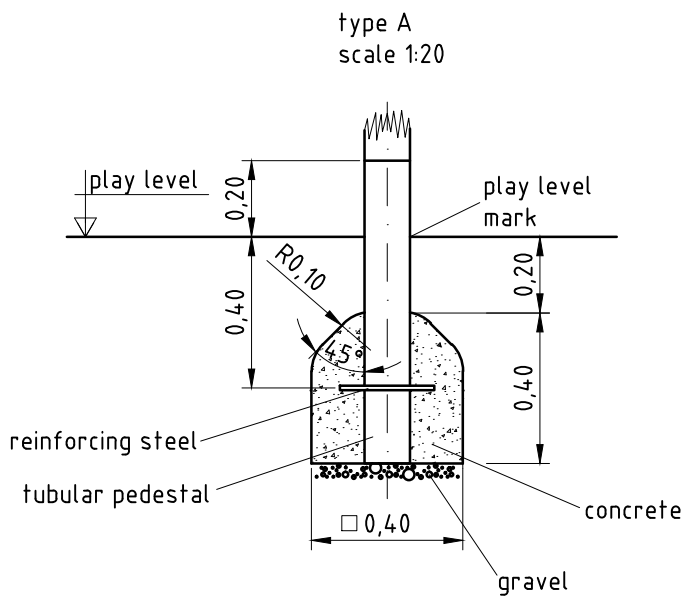
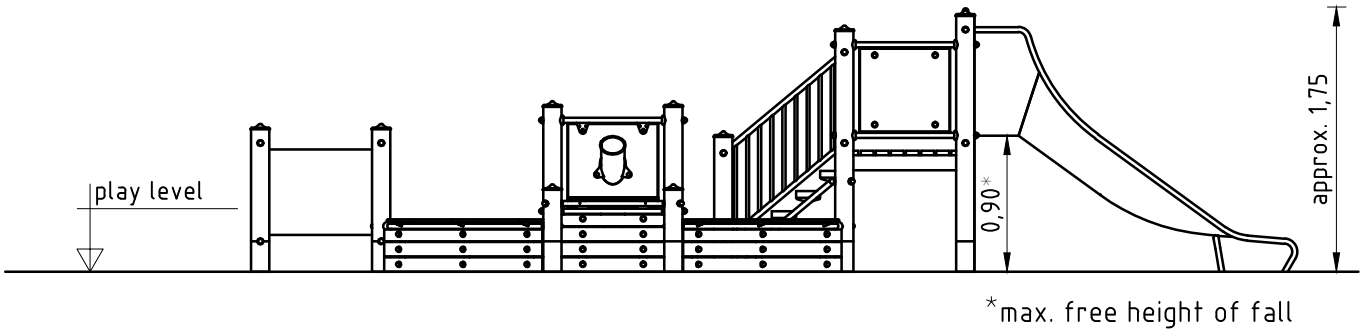
Item-No.
0-30251-701

Description
K&K Sand playspace

Scale
1:50

Date
08/12 EB

Page
2/3

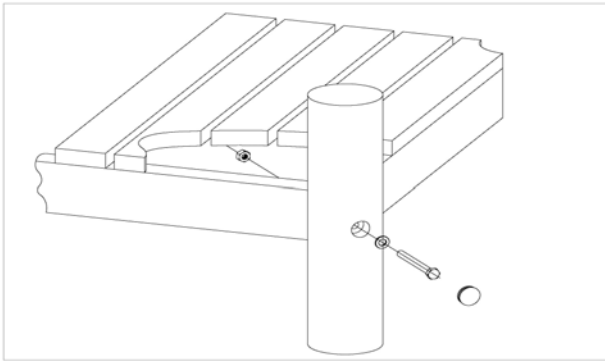


Item: **0-30251-701**
 K&K Sand playspace
 Location:

Order: 1298870

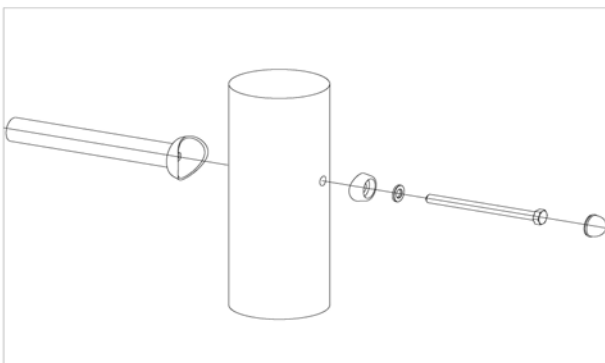
Building Project:

4 x SFRS1200001 Platform at robinia posts, nut on platform side



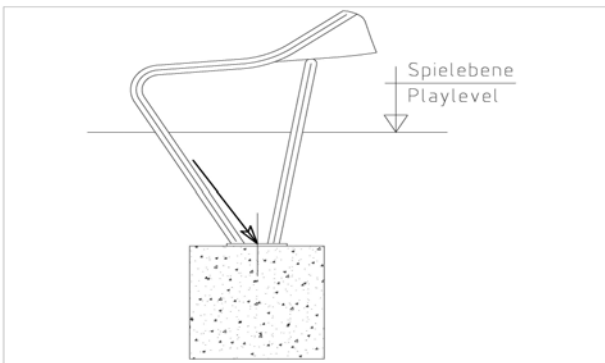
per SC	Total	K&K-Item	Marking
1 x	4 x	3400700	Hexagon head cap screw M12 x 120 DIN931 A2 with screw security coating/FGB red
1 x	4 x	3300016	Cover cap (grey) for drill holes Ø 30-34 mm, domed made of polyethylene/ SL36G
1 x	4 x	3430129	Washer Ø 14 DIN1440 A2
1 x	4 x	3430021	Safety nut M12 DIN985 A2

48 x SFRS1210001 Standard bolting for parapet, handrail, slide etc. at robinia posts



per SC	Total	K&K-Item	Marking
1 x	48 x	3300054	Screw cap - lower part, domed M12 colour red/RAL 2002 PA6
1 x	48 x	3300055	Screw cap - upper part M12 P2 colour red/RAL 2002 PA6
1 x	48 x	3430025	Washer Ø 13 DIN125 A2
1 x	48 x	3400702	Hexagon head cap screw M12 x 160 DIN931 A2 with screw security coating FGB red

1 x SFAS1070006 Slide-run-out-section (up to 2.00 m) on foundation



per SC	Total	K&K-Item	Marking
2 x	2 x	1070365	Stonescrew set for slide-runout M12 x 160

16 x SFRS1270002 Reinforcing steel for tubular pedestal



per SC	Total	K&K-Item	Marking
1 x	16 x	2030199	Reinforcing steel ES120 Ø 12 x 250 1.4301

Item: **0-30251-701**

Order:

1298870

K&K Sand playspace

Location:

Building Project:

1 x SFWZ0000012 Lubricating metal (30g box) incl. brush



per SC	Total	K&K-Item	Marking
1 x	1 x	5300039	Lubricating metal box à 30g
1 x	1 x	5200026	Brush for lubricating metal