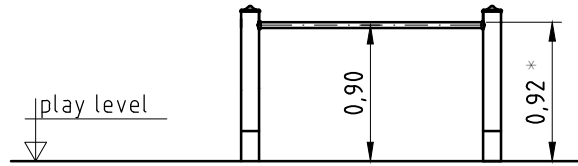


1. Assign a device location considering the space requirements (impact area).
2. Excavate soil for foundations, according to drawing.  
Please note: To achieve maximum stability and a safe installation, a moderate level of soil solubility is required.
3. Pour in a drain layer of gravel of approx. 10 cm thickness between the bottom of the posts and plain base of foundation.
4. Insert reinforcing steel into the corresponding holes of the posts.
5. Place posts type A according to the corresponding number (see foundation layout) into the respective foundation hole. Play level mark (=aluminium blind rivet) complies with the installation depth. Align every post by means of the play level mark facing into the same direction (see detail or foundation layout).
- 6. For installation of the pre-assembled components and/or single parts, the screws slightly have to be lubricated with installation paste!**  
**Tighten all screws after having aligned all components.**  
Screw connections see details in attached list.
7. Grout foundations with compressed concrete C20/25, chamfer and round off the edges, cover the foundations with a surface which meets the requirements for impact attenuation so that the critical fall height of the surfacing is equal to, or greater than, the free height of fall of the equipment (acc. to EN 1176-1).
8. Release for play after concrete foundations have set.
9. According to maintenance instructions, check all screw connections after 4-5 weeks and retighten, if necessary. Afterwards, cover the screw heads with protection caps.

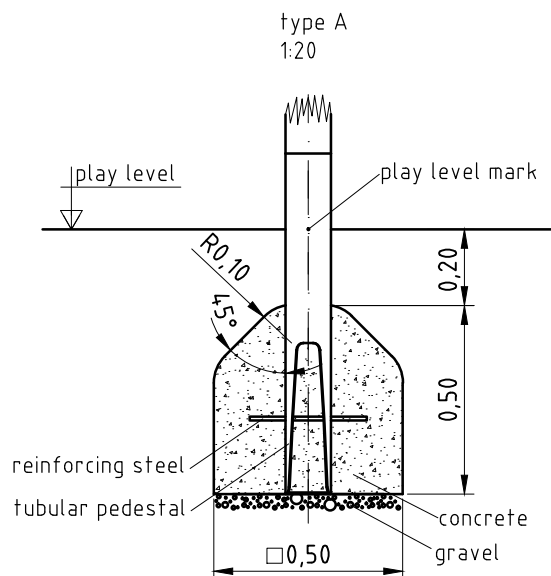
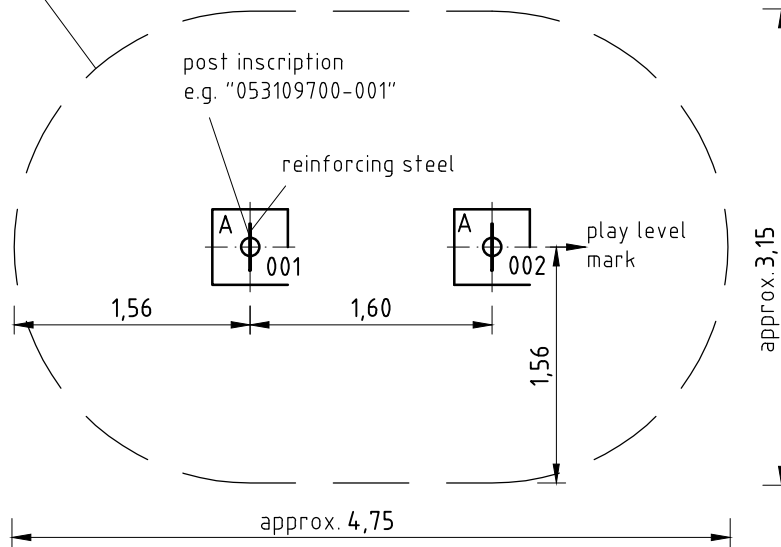
Please ensure that all special tools supplied (e.g. Allen key for secured Allen screws etc.) and all specific documents which are or may be useful for safety management acc. to EN 1176-7 (e.g. invoice, delivery note, order acknowledgement, installation instructions, maintenance instructions) are forwarded to the persons responsible.

**Necessarily insert all attachment parts before tightening the screws. It is NOT possible to insert them afterwards.**

\*max. free height of fall



impact area approx. 13 m<sup>2</sup>



Article: **053109700**

Commande:

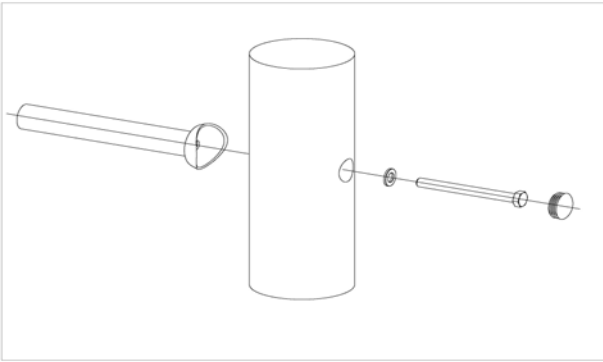
1298981

K&K Barre fixe mini (0,90)

Lieu:

Projet:

**2 x SFRS1230004 Vissage standard pour perche, rampe etc.  
au poteau en robinier (perçage fraisé)**



par jeu	au t.	N° d'article	Désignation d'article
1 x	2 x	3300016	Capuchon voûté en plastique gris SL 36 G
1 x	2 x	3430129	Rondelle Ø 14 DIN1440 A2
1 x	2 x	3400701	Vis à six pans M12x130 DIN931 A2 avec revêtement rouge de frein-filet

**2 x SFES1270007 Barre d'armature pour supports tubulaires**



par jeu	au t.	N° d'article	Désignation d'article
1 x	2 x	2130000	Fer à béton Ø 10 x 310 DIN 488

**1 x SFWZ0000014 Pâte lubrifiante, sachet (4 g)**



par jeu	au t.	N° d'article	Désignation d'article
1 x	1 x	5300024	pâte lubrifiante 4g