

Installation

Item No.	Description	Scale	Date	Page
0-21185-704	K&K Climbing combination	-	03/19 EB	1/4

1. Assign a device location considering the space requirements (impact area). Slide direction recommended: north-east or in half-shade of trees.
2. Excavate soil for foundations, according to drawing.
Please note: To achieve maximum stability and a safe installation, a moderate level of soil solubility is required.
3. Pour in a drain layer of gravel of approx. 10 cm thickness between the bottom of the posts and plain base of foundation.
4. Insert reinforcing steel into the corresponding holes of the posts.
5. Place posts type A according to the corresponding number (see foundation layout) into the respective foundation hole. Play level mark (=aluminium blind rivet) complies with the installation depth. Align every post by means of the play level mark facing into the same direction (see detail or foundation layout).

6. For installation of the pre-assembled components and/or single parts, the screws slightly have to be lubricated with installation paste!

Screw together platforms and posts by using the middle hole in the mounting brackets.

Tighten all screws after having aligned all components.

Install the slide exit with an inclination of 5° in sliding direction.

Screw connections see details in attached list

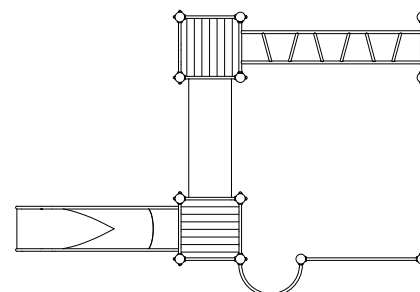
7. Grout foundations with compressed concrete C20/25, chamfer and round off the edges, cover the foundations with a surface which meets the requirements for impact attenuation so that the critical fall height of the surfacing is equal to, or greater than, the free height of fall of the equipment (acc. to EN 1176-1). The run-out section fall zone must have surfacing with a critical fall height of at least 1000mm (acc. to EN 1176-3).
8. Release for play after concrete foundations have set.
9. According to maintenance instructions, check all screw connections after 4-5 weeks and retighten, if necessary.

Please ensure that all special tools supplied (e.g. Allen key for secured Allen screws etc.) and all specific documents which are or may be useful for safety management acc. to EN 1176-7 (e.g. invoice, delivery note, order acknowledgement, installation instructions, maintenance instructions) are forwarded to the persons responsible.

Necessarily insert all attachment parts before tightening the screws. It is NOT possible to insert them afterwards.

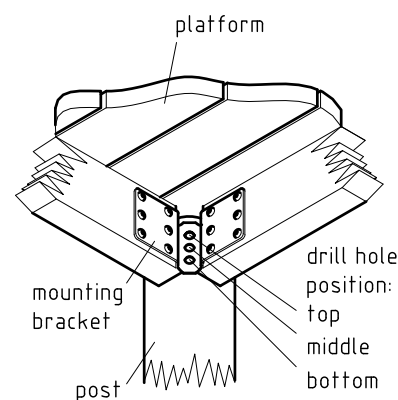
platform orientation

1:100



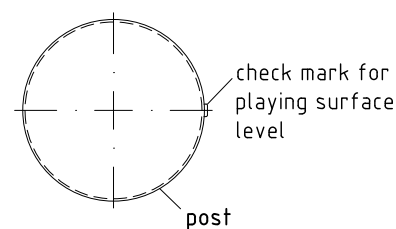
platform fastening

1:10

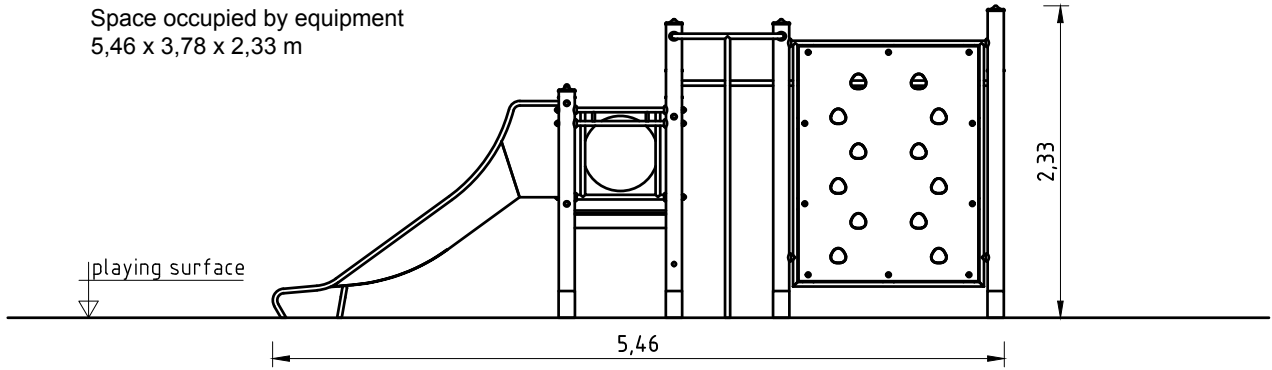


detail of check mark

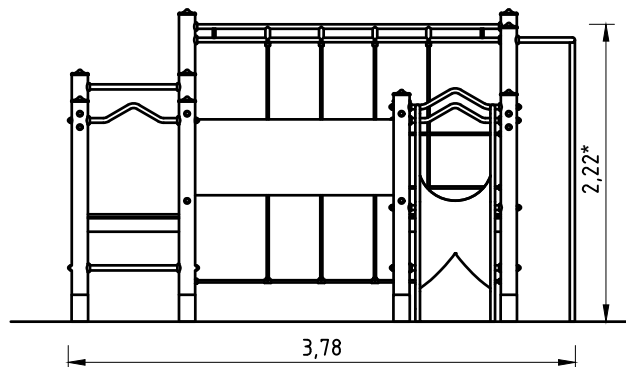
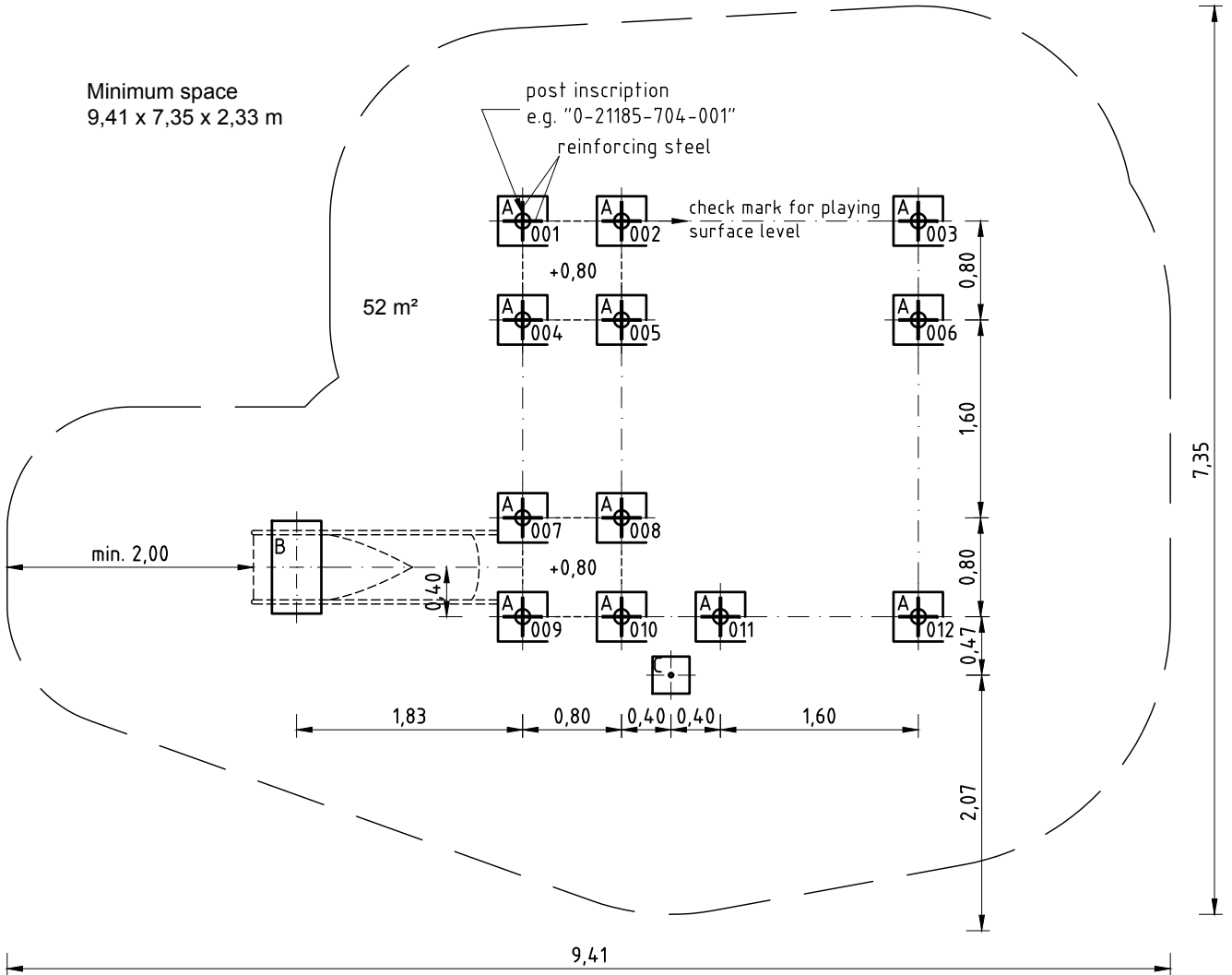
1:5



Space occupied by equipment
5,46 x 3,78 x 2,33 m



Minimum space
9,41 x 7,35 x 2,33 m



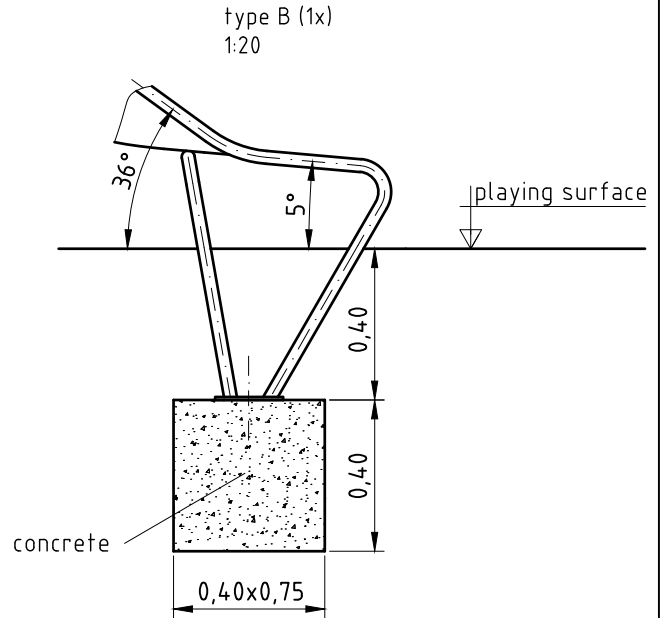
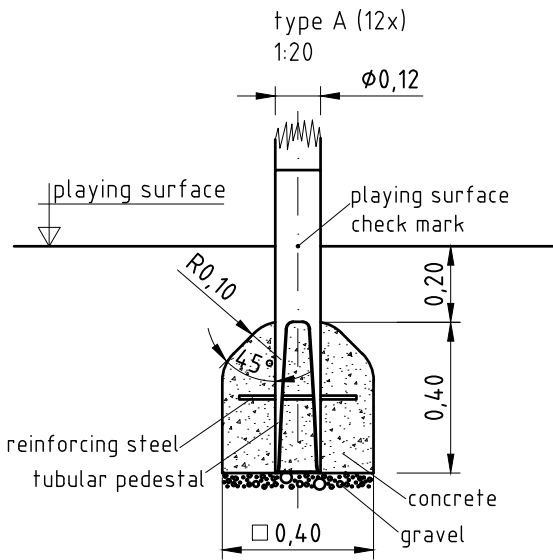
*max. free height of fall

Please note:

Due to the format size, this installation is not to scale (apart from single details).

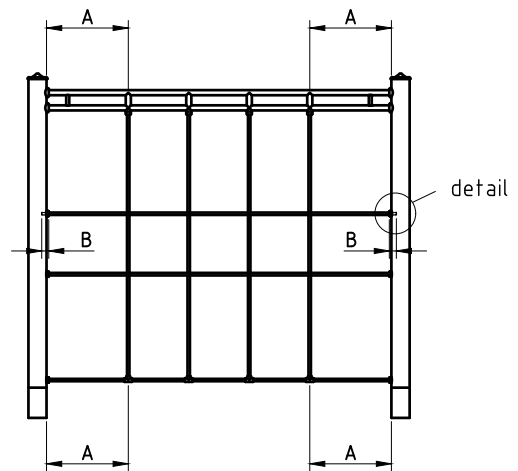
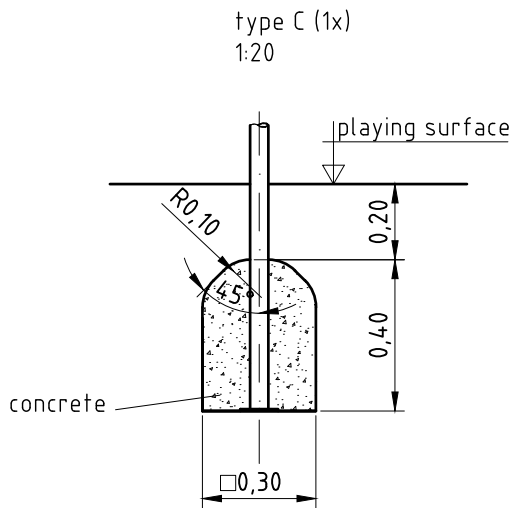
Please refer to the dimensions indicated.

An installation documentation scale 1:50 can be submitted on request.

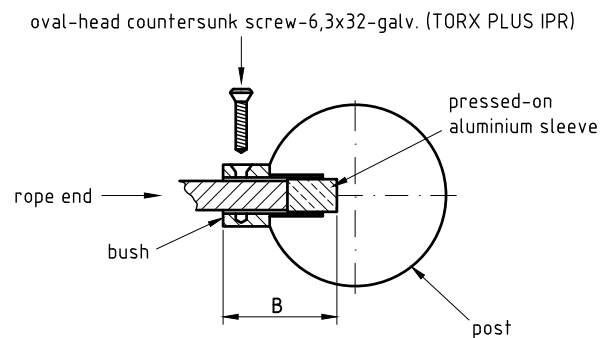


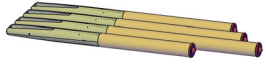

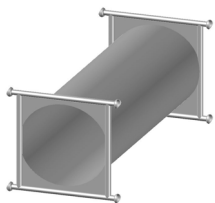



Installation of climbing net
1:50


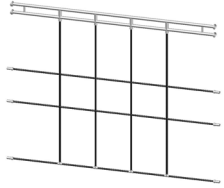
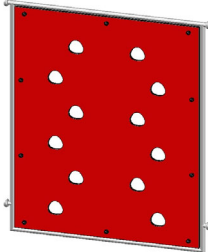
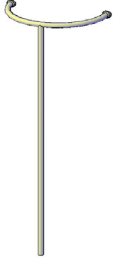
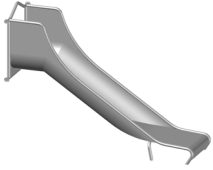
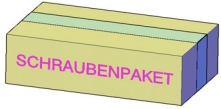
Insert horizontal rope ends into the bushes until the metal sleeve pressed-on the end is located behind the lateral drill. Center the net with average distances A and B.



topview detail
1:5



<u>Parts list</u>		021185704	GB
item no.	quantity	description	image
	1	set of 12 pcs. of laminated Robinia post with stainless steel tubular pedestal with bottom cut-outs, short length = 600 mm and protective stainless steel post cap	
1200000	2	square platform 0,80 m x 0,80 m	
1200008	1	crawl tunnel (1,60 m)	
1210359	2	horizontal bar/ladder rung 0,80 m	
1210358	2	bowed guardrail 0,80 m	
1210022	2	tandem guardrail 0,80 m	

<u>Parts list</u>		021185704	GB
item no.	quantity	description	image
1230281	1	horizontal monkey bars 0,80 m x 2,40 m	
1230080	1	black climbing net 2,40 m x 2,20 m type 1	
1230184	1	climbing wall (1,60) red HPL with cut-outs	
1230128	1	fireman's pole / height 2,10 m / horizontal arch	
041409001	1	K&K Trough-shaped attachment slide (0,80)	
1298807	1	fastening kit for 0-21185-702/703/704	

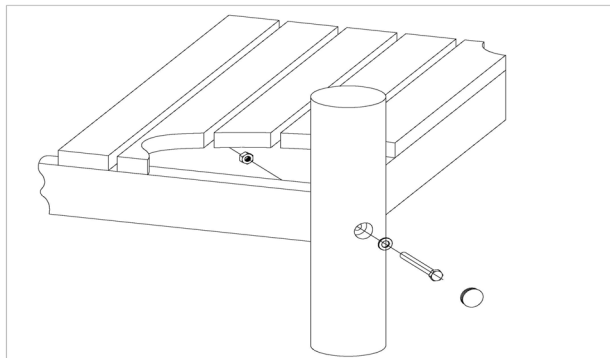
Item: **021185704**
K&K Climbing combination

Order:

1298807

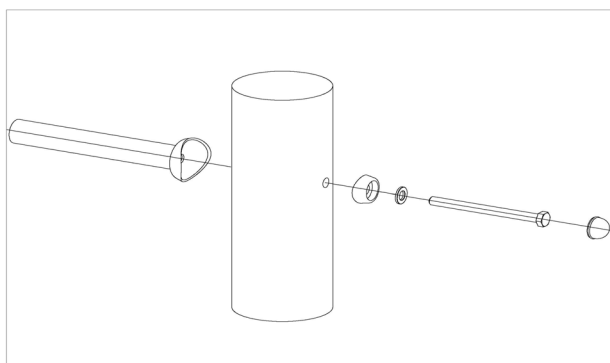
Location: Building Project:

8 x SFRS1200001 Platform at Robinia post, nut is platform-sided



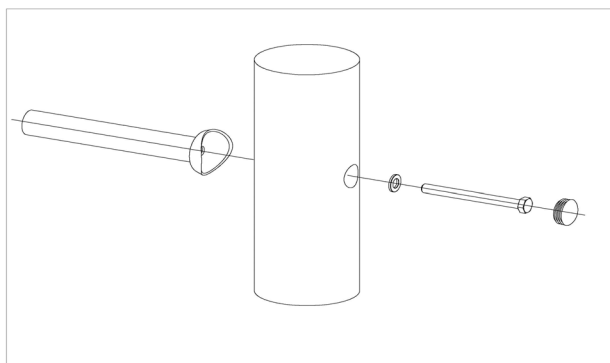
per SC	Total	K&K-Item	Marking
1 x	8 x	3400700	Hexagon head screw M12 x 120 DIN931 A2 with screw security coating/FGB red
1 x	8 x	3300016	Grey domed plastic cover cap SL 36 G
1 x	8 x	3430129	Washer Ø 14 DIN1440 A2
1 x	8 x	3430021	Lock nut M12 DIN985 A2

28 x SFRS1210001 Standard bolting of barriers, handrails, slides to Robinia posts



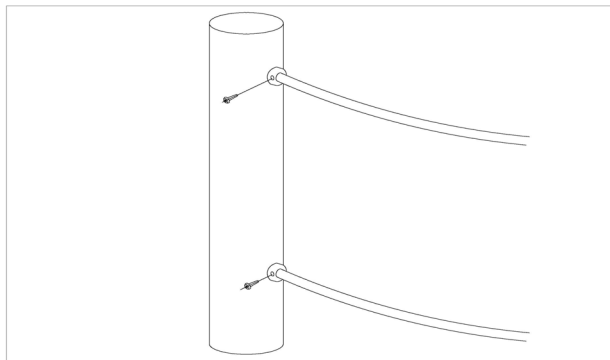
per SC	Total	K&K-Item	Marking
1 x	28 x	3300054	red protective screw cap - lower part, domed M12
1 x	28 x	3300055	red protective screw cap - upper part, domed M12
1 x	28 x	3430025	Washer Ø 13 DIN125 A2
1 x	28 x	3400702	Hexagon head cap screw M12 x 160 DIN931 A2 with screw security coating FGB red

14 x SFRS1230004 Standard bolting of climbing poles, ramps etc. to Robinia posts with countersunk holes



per SC	Total	K&K-Item	Marking
1 x	14 x	3300016	Grey domed plastic cover cap SL 36 G
1 x	14 x	3430129	Washer Ø 14 DIN1440 A2
1 x	14 x	3400701	Hexagon head cap screw M12 x 130 DIN931 A2 with screw retention coating/FGB red

6 x SFAS1230005 Climbing net/rope fastening to post



per SC	Total	K&K-Item	Marking
1 x	6 x	3400515	Oval head countersunk screw Torx Ø 6,3 x 32 galv.

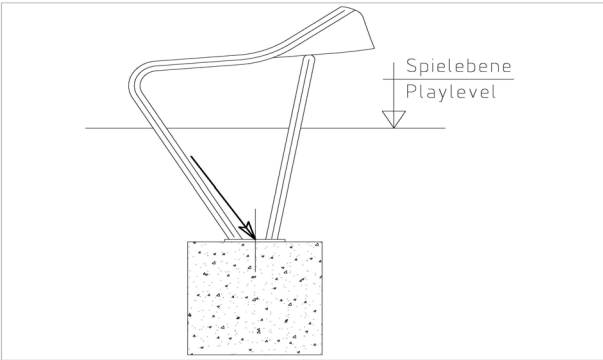
Item: **021185704**
K&K Climbing combination

Order:

1298807

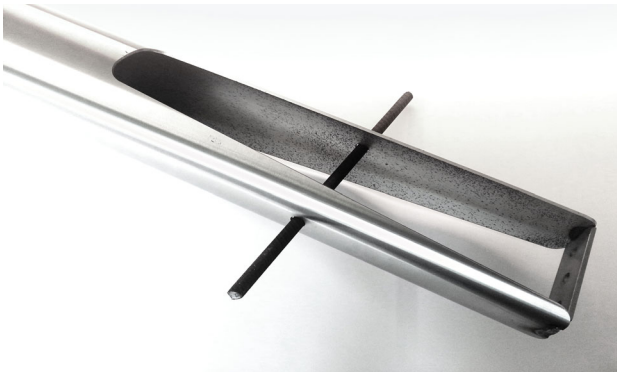
Location: Building Project:

1 x SFAS1070006 Slide run-out section (up to 2,00 m) on foundation stone bolt assembly



per SC	Total	K&K-Item	Marking
2 x	2 x	1070365	Set of stone bolts for slide run-out section M12x160

12 x SFES1270007 Reinforcing steel for tubular pedestals



per SC	Total	K&K-Item	Marking
1 x	12 x	2130000	Reinforcing steel Ø 10 x 310 DIN 488

1 x SFWZ0000010 Security bit TORX PLUS IPR 30 x 25



per SC	Total	K&K-Item	Marking
1 x	1 x	3490038	Security bit TORX PLUS IPR 30 x 25

1 x SFWZ0000012 Lubricating metal (30g box) incl. brush



per SC	Total	K&K-Item	Marking
1 x	1 x	5300039	Lubricating metal box 30g
1 x	1 x	5200026	Brush for lubricating metal