

1. Assign a location for the equipment considering the space requirements.
2. Excavate soil for foundations, according to drawing.  
Please note: To achieve maximum stability and a safe installation, a moderate level of soil solubility is required.
3. **Attention: For installation of the components, the screws slightly have to be lubricated with installation paste!**
4. Connect water trough to steel supports, put assembly into foundation holes and align it according to drawing. Grout foundations with compressed concrete C20/25, chamfer and round off the edges and cover foundations with surfacing material (acc. to EN 1176-1).
5. Release for play after concrete foundations have set.

Please take care that all special tools (e.g. special Allen key for secured Allen screws etc.) and all specific documents which are or may be useful for safety management acc. to EN 1176-7 (e.g. invoice, delivery note, order acknowledgement, installation instructions, maintenance instructions) are forwarded to the responsible persons.

Item: **0-33260-001**

Order:

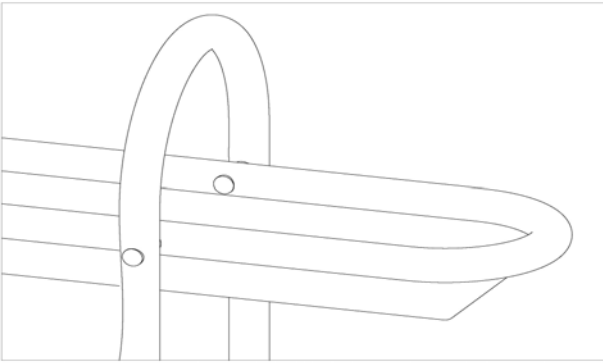
1294391

K&K Water trough (1,30)

Location:

Building Project:

**2 x SFAS1040005 Water trough (R) at support**



per SC	Total	K&K-Item	Marking
2 x	4 x	3400286	Dome head security bolt M10x50 Resistorx A2

**1 x SFWZ0000002 Security TORX wrench TR45**



per SC	Total	K&K-Item	Marking
1 x	1 x	3490033	Security TORX wrench TR45

**1 x SFWZ0000014 Lubricating metal, bag (4g)**



per SC	Total	K&K-Item	Marking
1 x	1 x	5300024	lubricating metal 4g