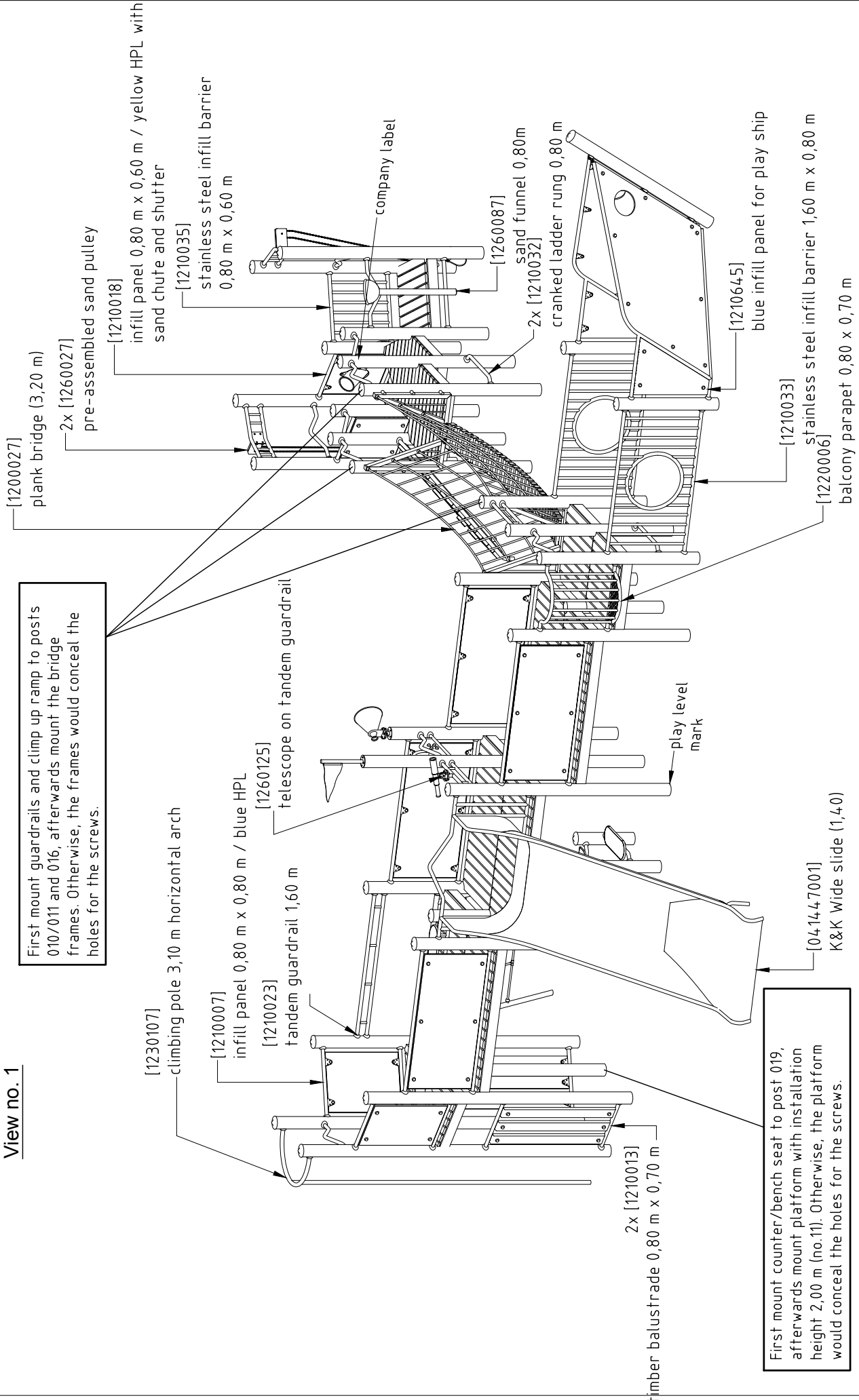


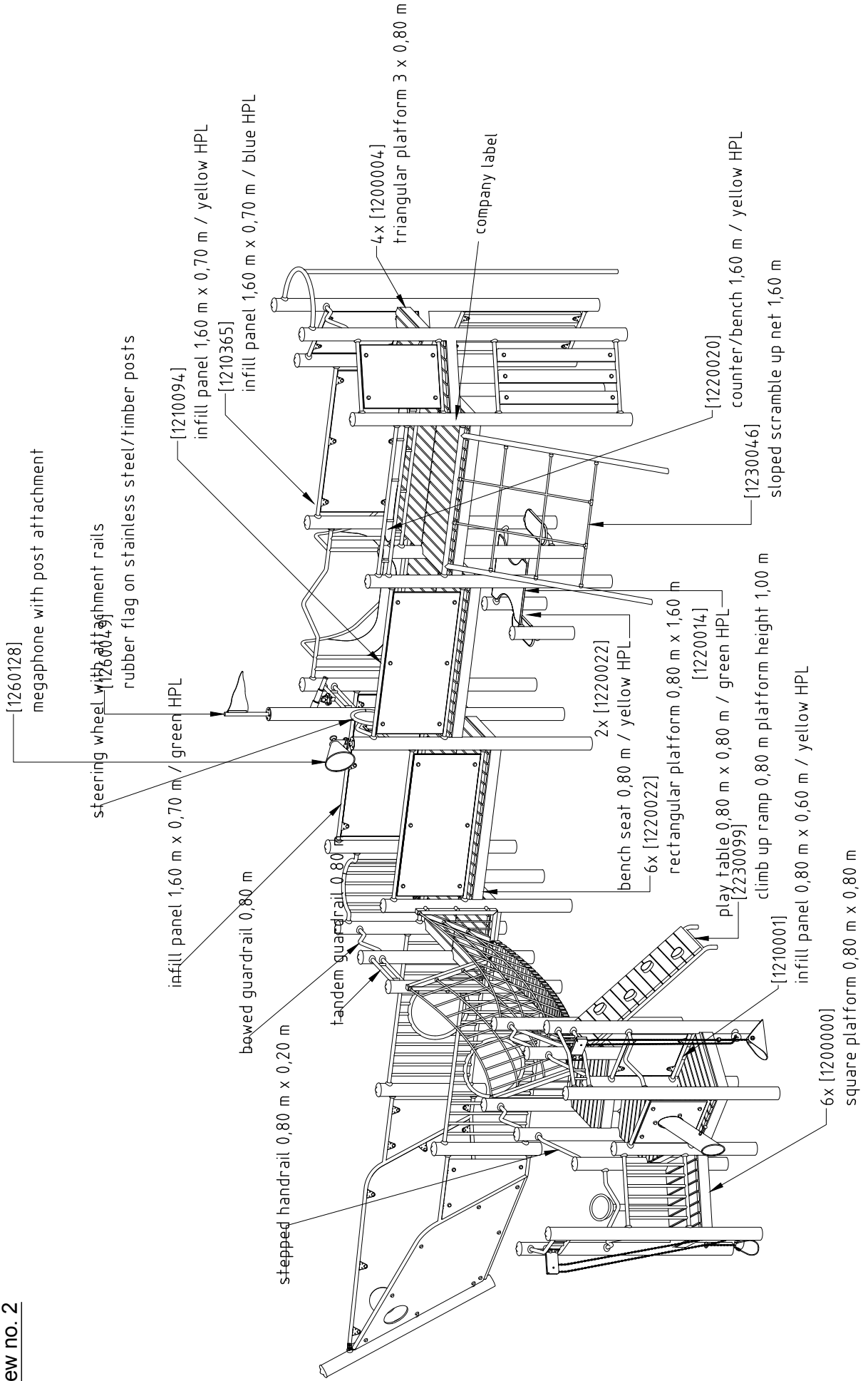
View no. 1

First mount guardrails and climb up ramp to posts 010/011 and 016, afterwards mount the bridge frames. Otherwise, the frames would conceal the holes for the screws.



First mount counter/bench seat to post 019, afterwards mount platform with installation height 2,00 m (no.11). Otherwise, the platform would conceal the holes for the screws.

View no. 2



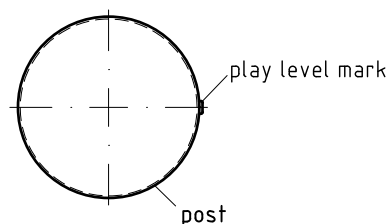
Installation instructions

1. Assign a device location considering the space requirements (impact area).
Slide direction recommended: north-east or in half-shade of trees.
2. Excavate soil for foundations, according to drawing.
Please note: To achieve maximum stability and a safe installation, a moderate level of soil solubility is required.
3. Pour in a drain layer of gravel of approx. 10 cm thickness between the bottom of the posts and plain base of foundation.
4. Insert reinforcing steel into the corresponding holes of the posts.
5. Place posts according to the corresponding number (see foundation layout) into the respective foundation hole. Play level mark (=aluminium blind rivet) complies with the installation depth. Align every post (except 025) by means of the play level mark facing into the same direction (see details or foundation layout).
6. **For installation of the pre-assembled components and/or single parts, the screws slightly have to be lubricated with installation paste!**
Screw together platforms and posts by using the respective hole in the mounting brackets (according to "**chart for platform fastenings**").
Tighten all screws after having aligned all components.
Install the slide exit with an inclination of 5° in sliding direction.
Screw connections see details in attached list.
7. Grout foundations with compressed concrete C20/25, chamfer and round off the edges, cover the foundations with a surface which meets the requirements for impact attenuation so that the critical fall height of the surfacing is equal to, or greater than, the free height of fall of the equipment (acc. to EN 1176-1). The run-out section fall zone must have surfacing with a critical fall height of at least 1000mm (acc. to EN 1176-3).
8. Release for play after concrete foundations have set.
9. According to maintenance instructions, check all screw connections after 4-5 weeks and retighten, if necessary.

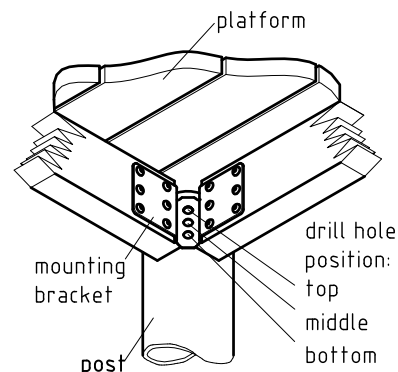
Please ensure that all special tools supplied (e.g. Allen key for secured Allen screws etc.) and all specific documents which are or may be useful for safety management acc. to EN 1176-7 (e.g. invoice, delivery note, order acknowledgement, installation instructions, maintenance instructions) are forwarded to the persons responsible.

Necessarily insert all attachment parts before tightening the screws. It is NOT possible to insert them afterwards.

detail of play level mark
1:5



platform fastening
1:10



Attention: Mount plank bridge after concrete setting process.

Installation instructions for plank bridge

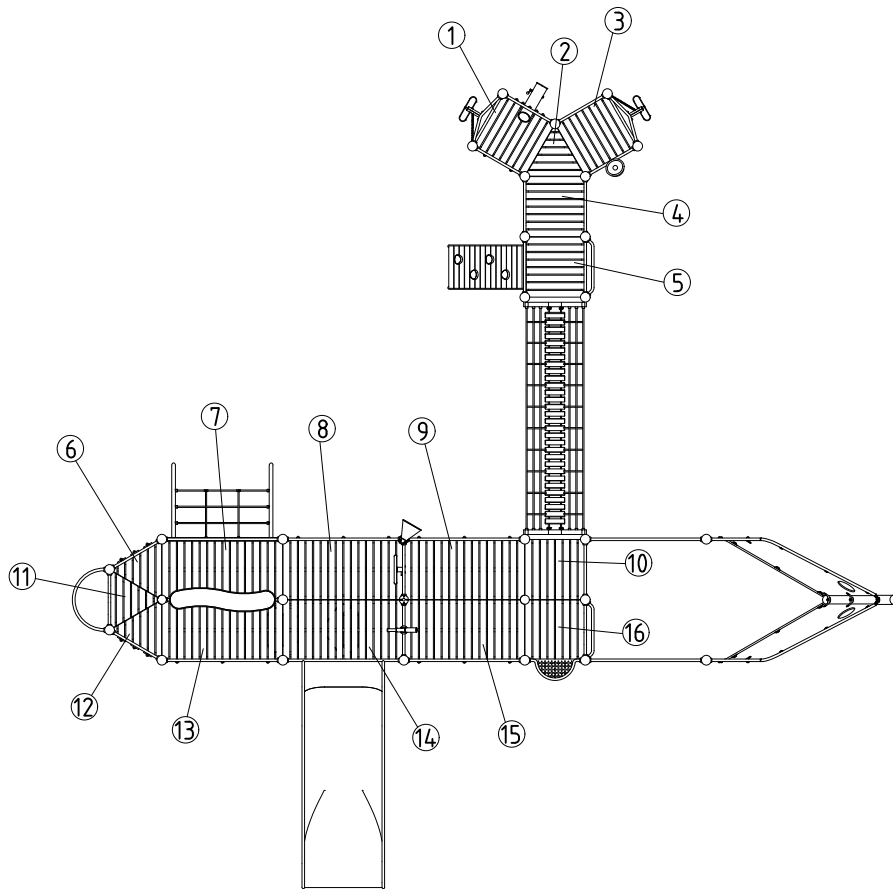
(Screw connections of lateral rail ropes/net barrier to bridge frame see details in attached list)

- Screw together the eyebolts M12 at the rope ends of the wooden treads (two pieces on each side) and the fixing links of the bridge frame.

Caution: Do not clamp bolted connections, the eyebolts must remain flexible in the fixing links!

- Insert rope ends into connecting piece (socket) of bridge frame until the inner width between bridge frame and first vertical rope is at least 230 mm and the probe D (∅ 230 mm), specified in the standard for playground equipment and surfacing EN 1176-1, passes through the meshes of the lateral rail ropes. Perform test in the most onerous way. Once inserted into the socket, the aluminium sleeve pressed-on the rope end must be located behind the hole for oval head countersunk screw. Do not screw through the metal ring, this will destroy the rope end. Fix rope ends.
- The difference in height between the two terminal points must not exceed 0,0m. With an inclined installation, the meshes of the side rail ropes have to be checked for any possible head entrapment point, as specified in the standard for playground equipment and surfacing EN 1176-1. With the design of the lateral rail ropes given, each single mesh has to be big enough to facilitate that probe D (∅ 230 mm) passes through. Also perform this test in the most onerous way.

platform orientation/numbers
1:100



Mounting hints for platforms

chart for platform fastenings

No.	height	drill hole position in mounting bracket		
		top	middle	bottom
1	0,60			x
2	0,80	x		
3	0,60	x		
4	0,80		x	
5	1,00		x	
6	1,80	x		
7	1,60	x		
8	1,40	x		
9	1,00	x		
10	0,80	x		
11	2,00	x		
12	1,80			x
13	1,60		x	
14	1,40		x	
15	1,00		x	
16	0,80		x	

Installation

Item No.
0-31670-501

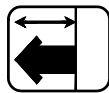
Description
K&K Play ship

Scale
1:50

Date
07/18 DW

Page
5/9

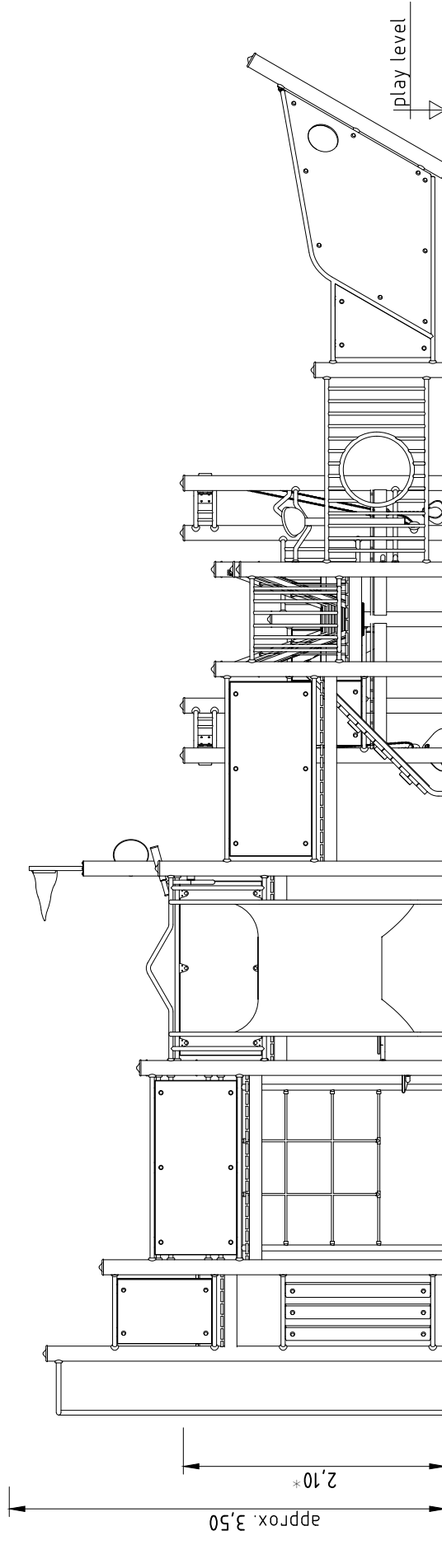
Front view



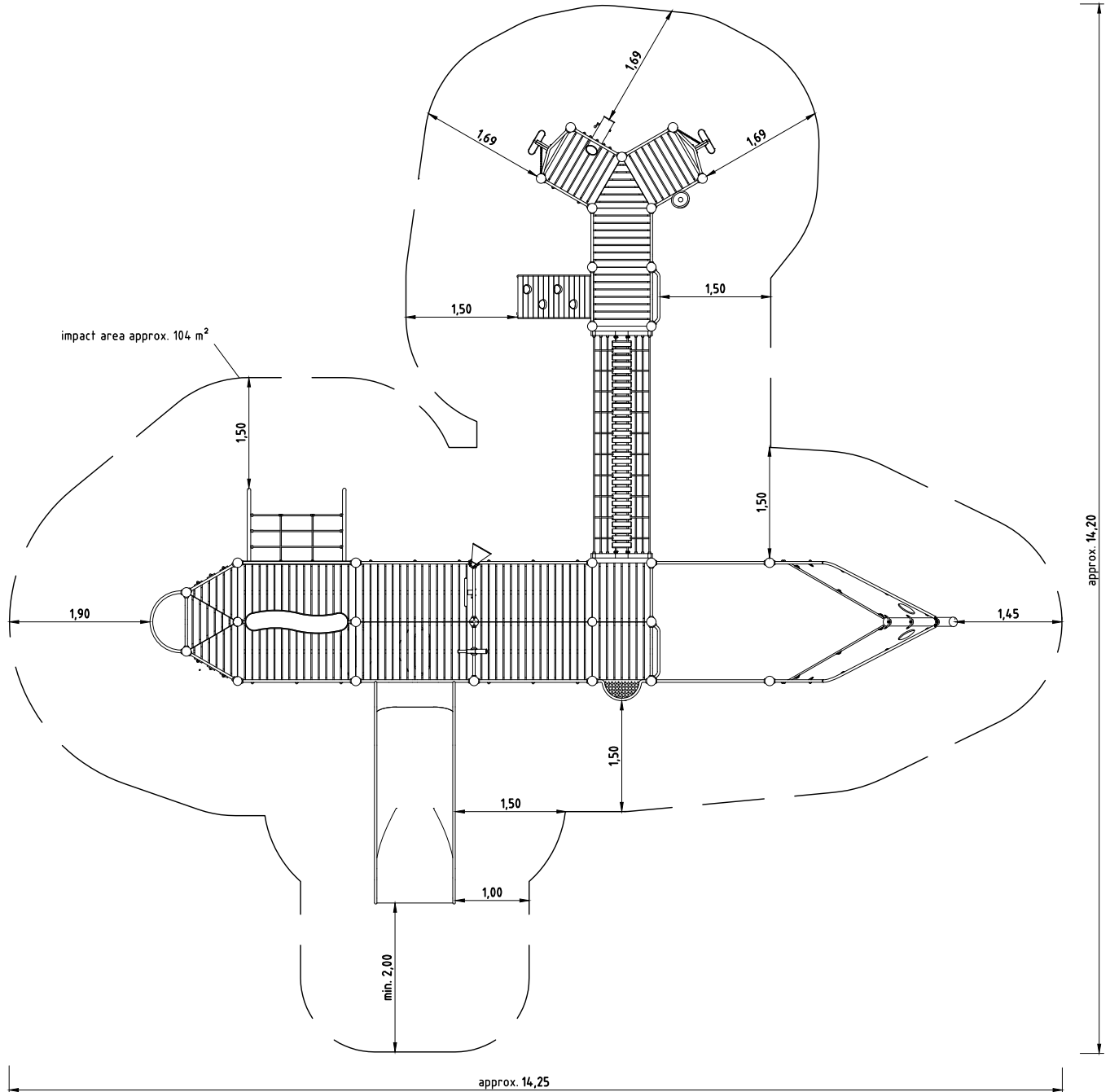
dimension mark - total height of the equipment



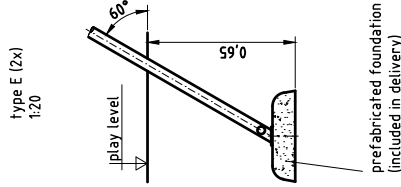
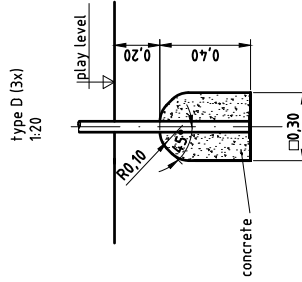
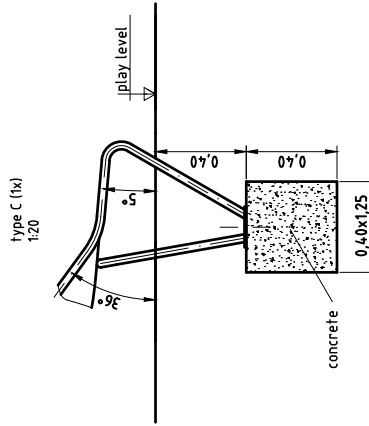
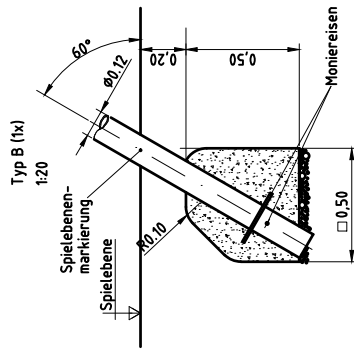
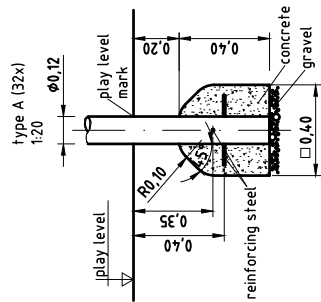
dimension mark - maximum free height of fall



Top view & impact area



Foundation details



foundations (on site)
 32x 0.40 x 0.40 x 0.40 m
 1x 0.50 x 0.50 x 0.50 m
 1x 0.40 x 1.25 x 0.40 m
 3x 0.30 x 0.30 x 0.40 m
(approximate) concrete needs
 2,5 m³

Item: **031670501**

Order:

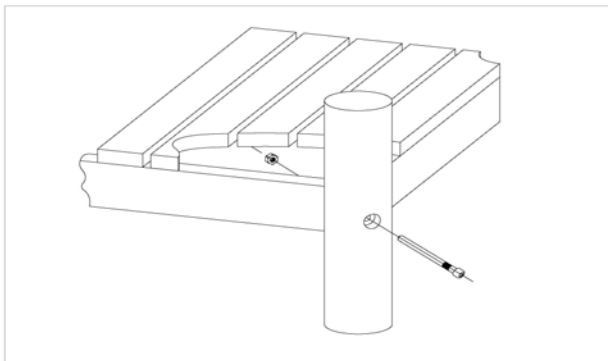
1293357

K&K Play ship

Location:

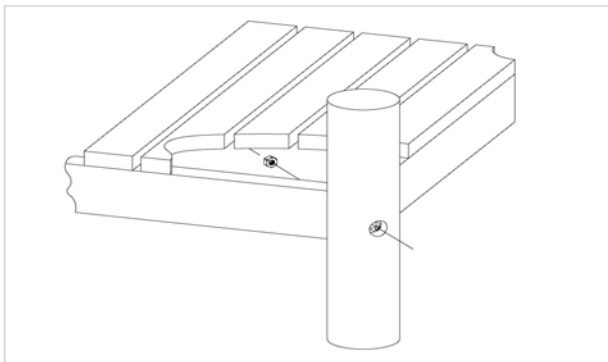
Building Project:

56 x SFES120001 Platform fastening to stainless steel post, nut on the side of the platform



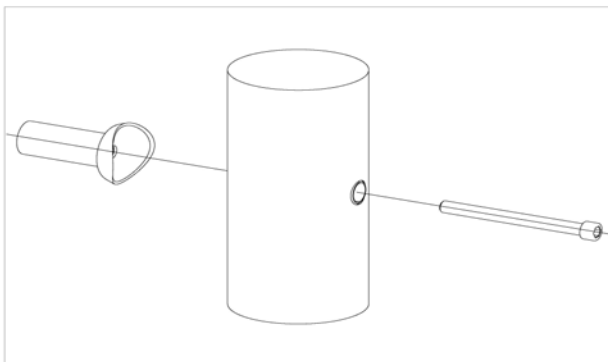
per SC	Total	K&K-Item	Marking
1 x	56 x	3430021	Lock nut M12 DIN985 A2
1 x	56 x	2030651	Cheese head screw with pin M12 x 125

4 x SFES120004 Platform at stainless steel posts screw fixed by manufacturer



per SC	Total	K&K-Item	Marking
1 x	4 x	3430021	Lock nut M12 DIN985 A2

130 x SFES1210001 Standard bolting of attachment parts (except platforms) to stainless steel posts



per SC	Total	K&K-Item	Marking
1 x	130 x	2030168	Cheese head screw with pin M12x140

Item: **031670501**

Order:

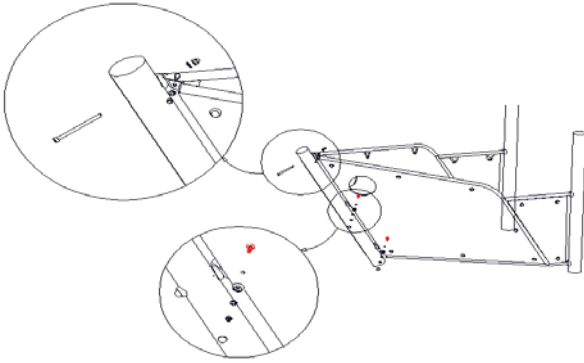
1293357

K&K Play ship

Location:

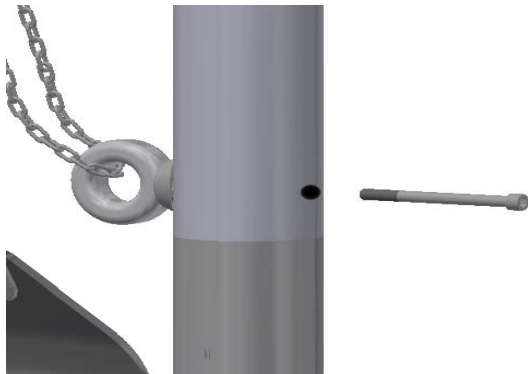
Building Project:

1 x SFES1210644 Set of infill panels for ship's bows as of 08-2016



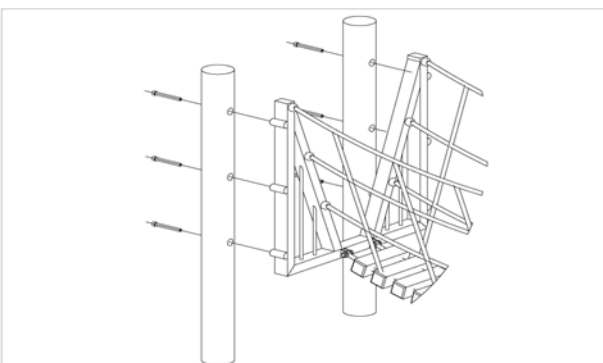
per SC	Total	K&K-Item	Marking
4 x	4 x	3430014	Washer Ø 10,5 DIN 125 B A2
2 x	2 x	3400464	Dome head security screw-M10x20-Resistorx T45 A
2 x	2 x	3430011	Hexagon cap nut M10 DIN986 A2
2 x	2 x	3430014	Washer Ø 10,5 DIN 125 B A2
4 x	4 x	3430048	Lock nut M10 DIN 985 A2
4 x	4 x	3400024	Mushroom head screw M10 x 35 DIN603 A2
3 x	3 x	3430025	Washer Ø 13 DIN125 A2
4 x	4 x	3300057	white protective screw cap - upper part, M10
4 x	4 x	3300056	white protective screw cap - lower part, M10
3 x	3 x	3430051	Hexagon cap nut M12 DIN 986 A2
3 x	3 x	2030168	Cheese head screw with pin M12x140

2 x SFES1260002 Fastening of chain of sand pulley to steel post



per SC	Total	K&K-Item	Marking
1 x	2 x	2030168	Cheese head screw with pin M12x140
1 x	2 x	1040731	weld piece/post attachment/twist protection

12 x SFES1200006 Plank bridge frame at stainless steel post



per SC	Total	K&K-Item	Marking
1 x	12 x	2030246	Cheese head screw M12 x 110 with pin

Item: **031670501**

Order:

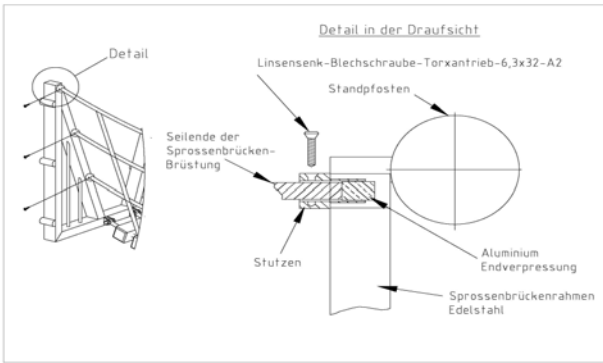
1293357

K&K Play ship

Location:

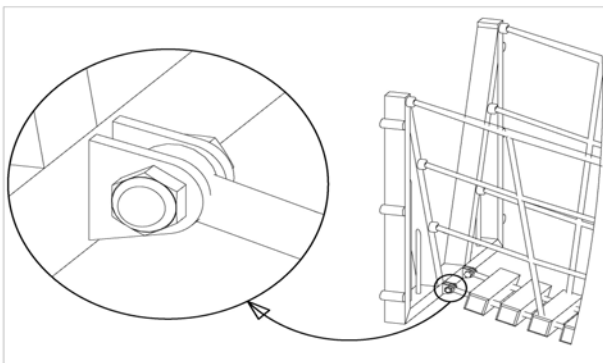
Building Project:

2 x SFAS1200001 Plank bridge railing ropes in plank bridge frame



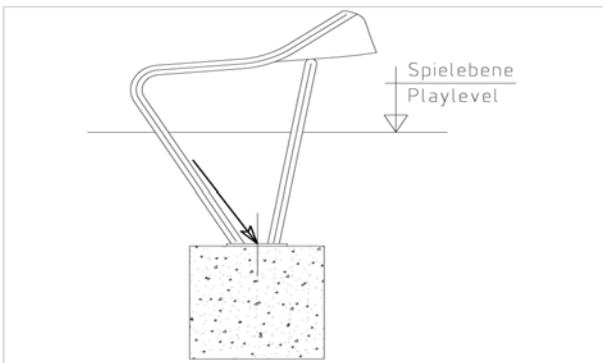
per SC	Total	K&K-Item	Marking
6 x	12 x	3400515	Oval head countersunk screw Torx Ø 6,3 x 32 galv.

2 x SFAS1200004 Supporting cable for plank bridge at frame



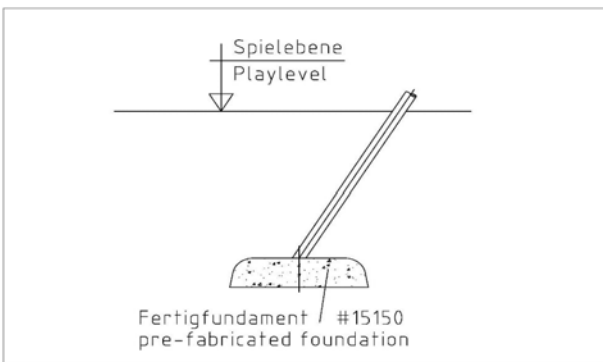
per SC	Total	K&K-Item	Marking
2 x	4 x	3430051	Hexagon cap nut M12 DIN 986 A2
2 x	4 x	3430025	Washer Ø 13 DIN125 A2
2 x	4 x	2030519	Fixing screw M12x45 for plank bridges

1 x SFAS1070006 Slide run-out section (up to 2,00 m) on foundation stone bolt assembly



per SC	Total	K&K-Item	Marking
2 x	2 x	1070365	Set of stone bolts for slide run-out section M12x160

1 x SFAS1230009 Scramble up net / climbing net fastening to prefabricated foundation



per SC	Total	K&K-Item	Marking
4 x	4 x	3430025	Washer Ø 13 DIN125 A2
4 x	4 x	3400018	Hexagon screw M12 x 25 DIN933 A2

Item: **031670501**

Order:

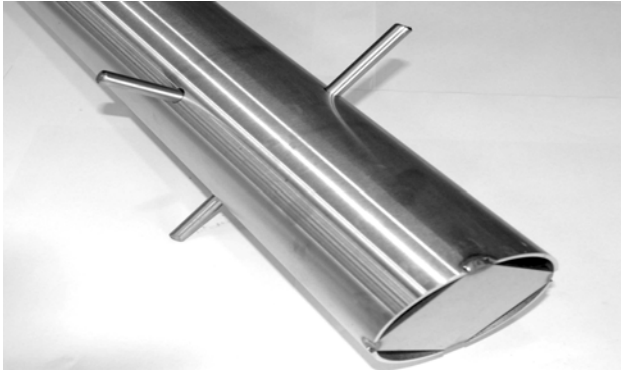
1293357

K&K Play ship

Location:

Building Project:

33 x SFES1270001 Reinforcing steel for stainless steel posts



per SC	Total	K&K-Item	Marking
2 x	66 x	2130000	Reinforcing steel Ø 10 x 310 DIN 488

1 x SFWZ0000001 Security TORX wrench TR40

per SC	Total	K&K-Item	Marking
1 x	1 x	3490081	Security TORX wrench TR40



1 x SFWZ0000009 Hexagon insert socket driver 10mm 1/2" with borehole for Pin

per SC	Total	K&K-Item	Marking
1 x	1 x	2030170	Hexagon insert socket driver 10 mm 1/2" with drill hole for Pin



1 x SFWZ0000010 Security bit TORX PLUS IPR 30 x 25

per SC	Total	K&K-Item	Marking
1 x	1 x	3490038	Security bit TORX PLUS IPR 30 x 25



Item: **031670501**

Order:

1293357

K&K Play ship

Location:

Building Project:

4 x SFWZ0000012 Lubricating metal (30g box) incl. brush



per SC	Total	K&K-Item	Marking
1 x	4 x	5300039	Lubricating metal box 30g
1 x	4 x	5200026	Brush for lubricating metal