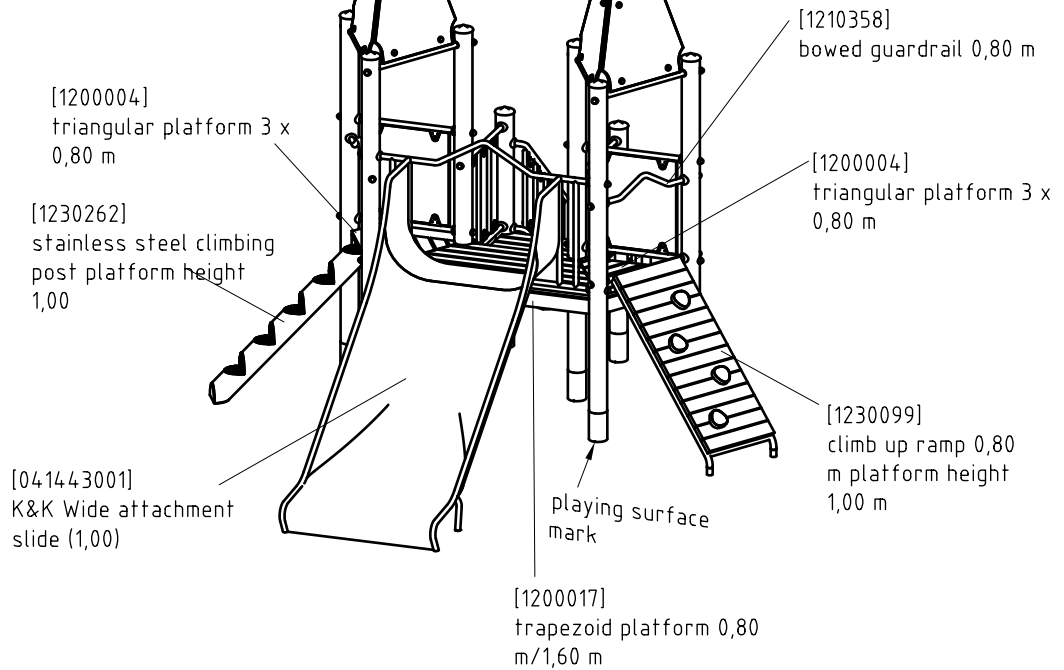
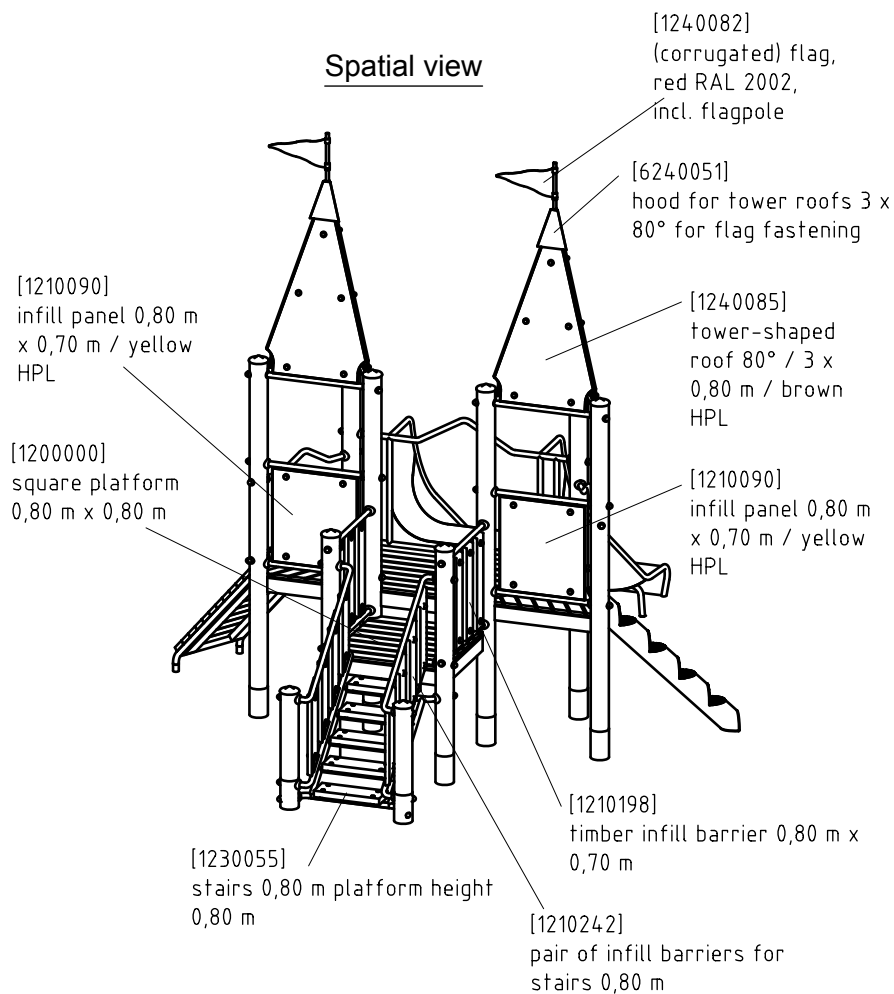


Spatial view



Spatial view



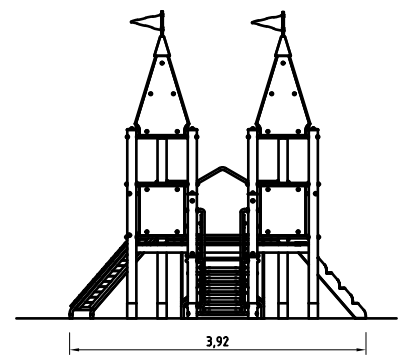
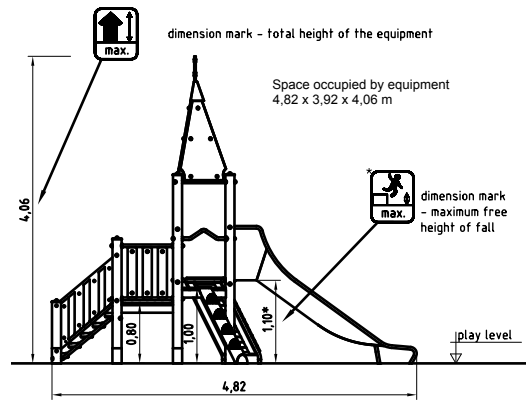
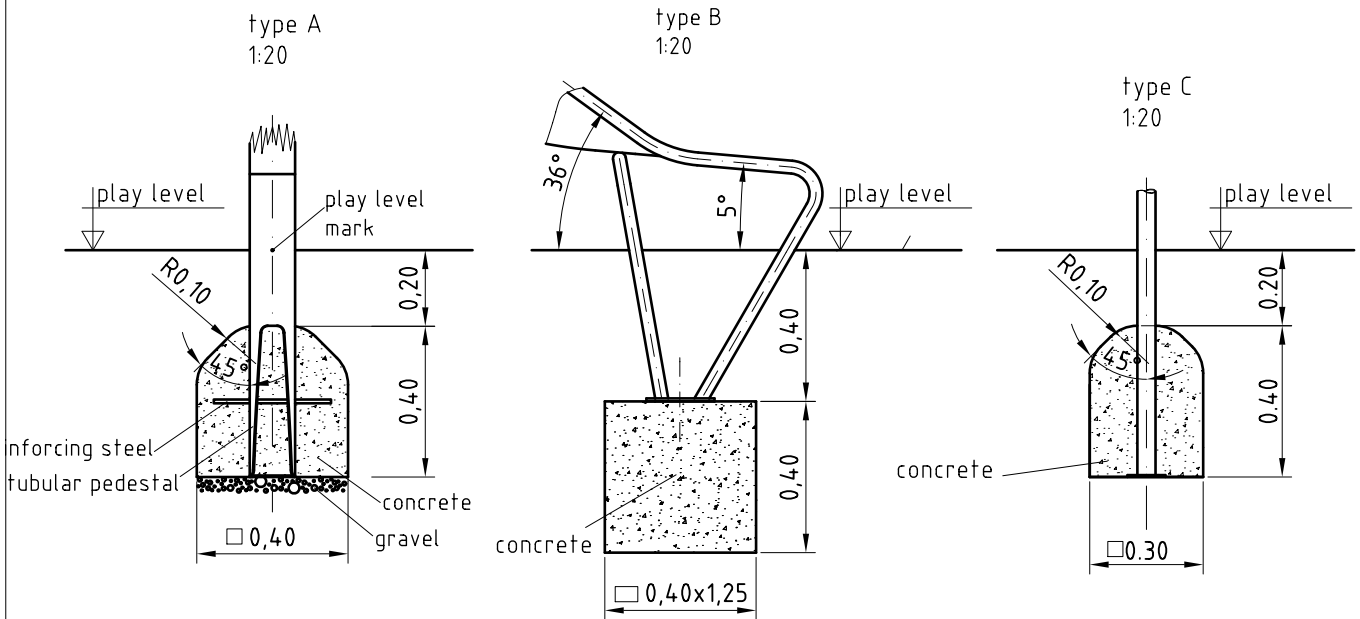
Installation instructions

1. Assign a device location considering the space requirements (impact area).
Slide direction recommended: north-east or in half-shade of trees.
2. Excavate soil for foundations, according to drawing.
Please note: To achieve maximum stability and a safe installation, a moderate level of soil solubility is required.
3. Pour in a drain layer of gravel of approx. 10 cm thickness between the bottom of the posts and plain base of foundation.
4. Insert reinforcing steel into the corresponding holes of the posts.
5. Place posts type A according to the corresponding number (see foundation layout) into the respective foundation hole. Play level mark (=aluminium blind rivet) complies with the installation depth. Align every post by means of the play level mark facing into the same direction (see detail or foundation layout).
6. **For installation of the pre-assembled components and/or single parts, the screws slightly have to be lubricated with installation paste!**
Screw together platforms and posts by using the middle hole in the mounting brackets.
Tighten all screws after having aligned all components.
Install the slide exit with an inclination of 5° in sliding direction.
Screw connections see details in attached list.
We recommend not to insert the protection caps enclosed before first maintenance as they are only suitable for one-time use (see description in item No. 9).
7. Grout foundations with compressed concrete C20/25, chamfer and round off the edges, cover the foundations with a surface which meets the requirements for impact attenuation so that its critical fall height is equal to or greater than the maximum free height of fall of the equipment (acc. to EN 1176-1). The run-out section fall zone must have surfacing with a critical fall height of at least 1000 mm (acc. to EN 1176-3).
8. Release for play after concrete foundations have set.
9. According to maintenance instructions, check all screw connections after 4-5 weeks and retighten, if necessary. Afterwards cover the screw heads with protection caps as follows: Insert grey protection caps into the countersunk drills (e.g. for platforms). The non-countersunk drills (e.g. for railings or a slide) have to be covered with the red protection caps by placing them onto the base part. Strongly pound them (e.g. by using a plastic mallet) until they audibly snap into the base part groove.

Please ensure that all special tools supplied (e.g. Allen key for secured Allen screws etc.) and all specific documents which are or may be useful for safety management acc. to EN 1176-7 (e.g. invoice, delivery note, order acknowledgement, installation instructions, maintenance instructions) are forwarded to the persons responsible.

Necessarily insert all attachment parts before tightening the screws. It is NOT possible to insert them afterwards.

Foundation details



platform orientation/numbers
1:100

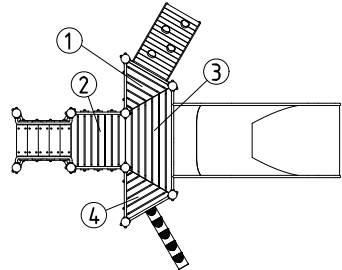
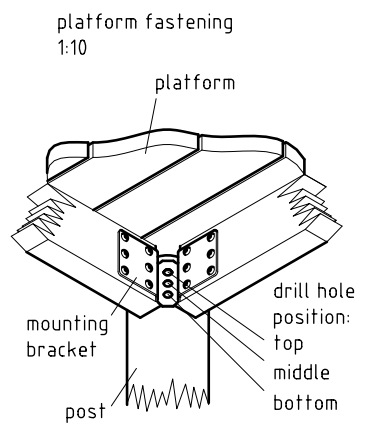


chart for platform fastenings

No.	height	drill hole position in mounting bracket		
		top	middle	bottom
①	1,00			x
②	0,80		x	
③	1,00	x		
④	1,00			x



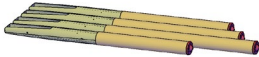


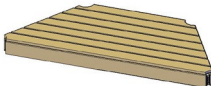


Please note:

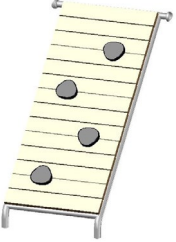


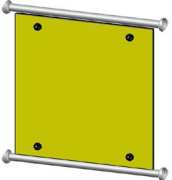

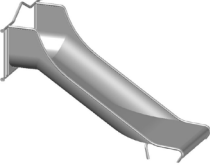
Due to the format size, this installation is not to scale (apart from single details).
Please refer to the dimensions indicated.
An installation documentation scale 1:50 can be submitted on request.

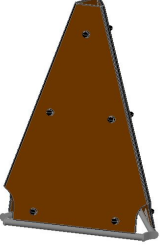


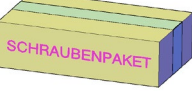
www.kaiser-kuehne.com Tel. +49(0)4254 - 93150

© Kaiser & Kühne Freizeitgeräte D-27324 Eystrup

K & K Installation

<u>Parts list</u>		021260703	GB
item no.	quantity	description	image
	1	set of 10 pcs. of laminated Robinia posts with stainless steel tubular pedestal with bottom cut-outs and protective stainless steel post cap / with red powder-coating/RAL 2002	
1200000	1	square platform 0,80 m x 0,80 m	
1200004	2	triangular platform 3 x 0,80 m	
1200017	1	trapezoid platform 0,80 m/1,60 m	
1230055	1	stairs 0,80 m platform height 0,80 m	
1210242	1	pair of infill barriers for stairs 0,80 m	

<u>Parts list</u>		021260703	GB
item no.	quantity	description	image
1230099	1	climb up ramp 0,80 m platform height 1,00 m	
1210358	2	bowed guardrail 0,80 m	
1210198	2	timber infill barrier 0,80 m x 0,70 m	
1210090	2	infill panel 0,80 m x 0,70 m / yellow HPL	
1230262	1	stainless steel climbing post platform height 1,00	
041443001	1	K&K Wide attachment slide (1,00)	

<u>Parts list</u>		021260703	GB
item no.	quantity	description	image
1240085	2	tower-shaped roof 80° / 3 x 0,80 m / brown HPL	
6240051	2	hood for tower roofs 3 x 80° for flag fastening	
1240082	2	(corrugated) flag, red RAL 2002, incl. flagpole	
1298810	1	fastening kit for 0-21260-703	

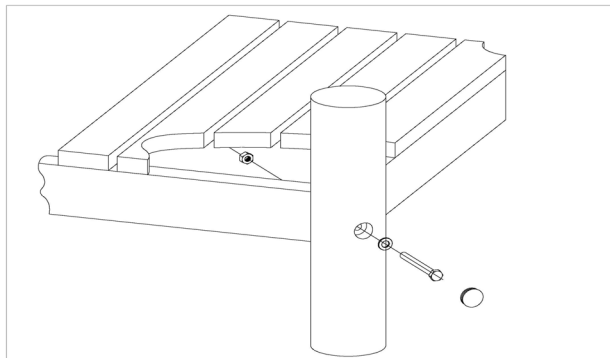
Item: **021260703**
 K&K Play structure
 Location:

Order:

1298810

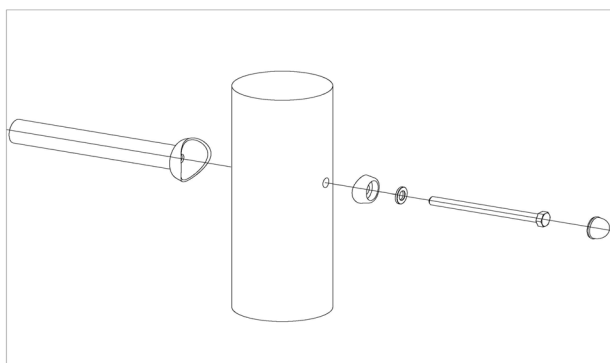
Building Project:

14 x SFRS1200001 Platform at Robinia post, nut is platform-sided



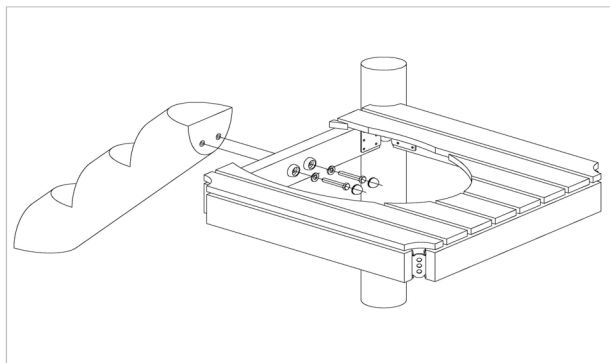
per SC	Total	K&K-Item	Marking
1 x	14 x	3400700	Hexagon head screw M12 x 120 DIN931 A2 with screw security coating/FGB red
1 x	14 x	3300016	Grey domed plastic cover cap SL 36 G
1 x	14 x	3430129	Washer Ø 14 DIN1440 A2
1 x	14 x	3430021	Lock nut M12 DIN985 A2

38 x SFRS1210001 Standard bolting of barriers, handrails, slides to Robinia posts



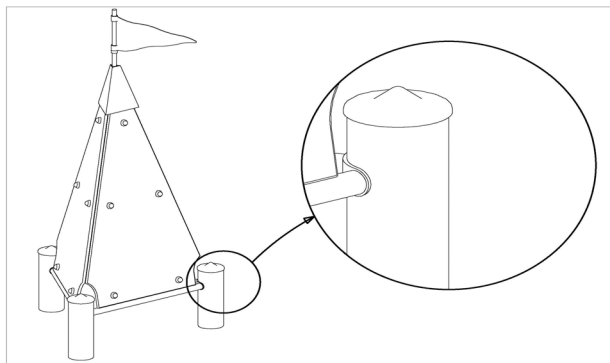
per SC	Total	K&K-Item	Marking
1 x	38 x	3300054	red protective screw cap - lower part, domed M12
1 x	38 x	3300055	red protective screw cap - upper part, domed M12
1 x	38 x	3430025	Washer Ø 13 DIN125 A2
1 x	38 x	3400702	Hexagon head cap screw M12 x 160 DIN931 A2 with screw security coating FGB red

1 x SFAS1230004 Climbing post fastening to platform joist



per SC	Total	K&K-Item	Marking
2 x	2 x	3430025	Washer Ø 13 DIN125 A2
2 x	2 x	3400414	hexagon head cap screw M12 x 75 DIN931 A2
2 x	2 x	3300055	red protective screw cap - upper part, domed M12
2 x	2 x	3300045	Screw cover cap, flat, M 12 PA6 P1 (lower part) colour: red/RAL 2002

6 x SFRS1240002 Roof frame spire roof 80° with flag



per SC	Total	K&K-Item	Marking
1 x	6 x	3300054	red protective screw cap - lower part, domed M12
1 x	6 x	3300055	red protective screw cap - upper part, domed M12
1 x	6 x	3400363	Hexagon head cap screw M12 x 150 DIN931 A2
1 x	6 x	3430051	Hexagon cap nut M12 DIN 986 A2
2 x	12 x	3430025	Washer Ø 13 DIN125 A2

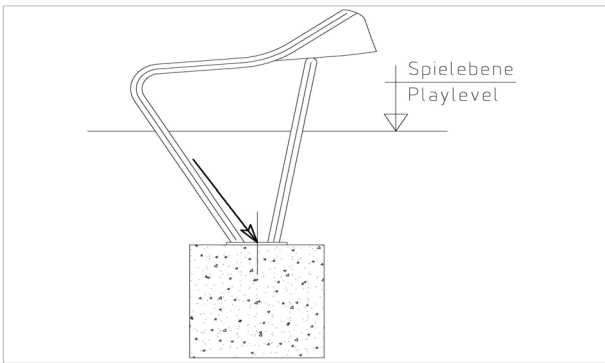
Item: **021260703**
 K&K Play structure
 Location:

Order:

1298810

Building Project:

1 x SFAS1070006 Slide run-out section (up to 2,00 m) on foundation stone bolt assembly



per SC	Total	K&K-Item	Marking
2 x	2 x	1070365	Set of stone bolts for slide run-out section M12x160

10 x SFES1270007 Reinforcing steel for tubular pedestals



per SC	Total	K&K-Item	Marking
1 x	10 x	2130000	Reinforcing steel Ø 10 x 310 DIN 488

1 x SFWZ0000012 Lubricating metal (30g box) incl. brush



per SC	Total	K&K-Item	Marking
1 x	1 x	5300039	Lubricating metal box 30g
1 x	1 x	5200026	Brush for lubricating metal