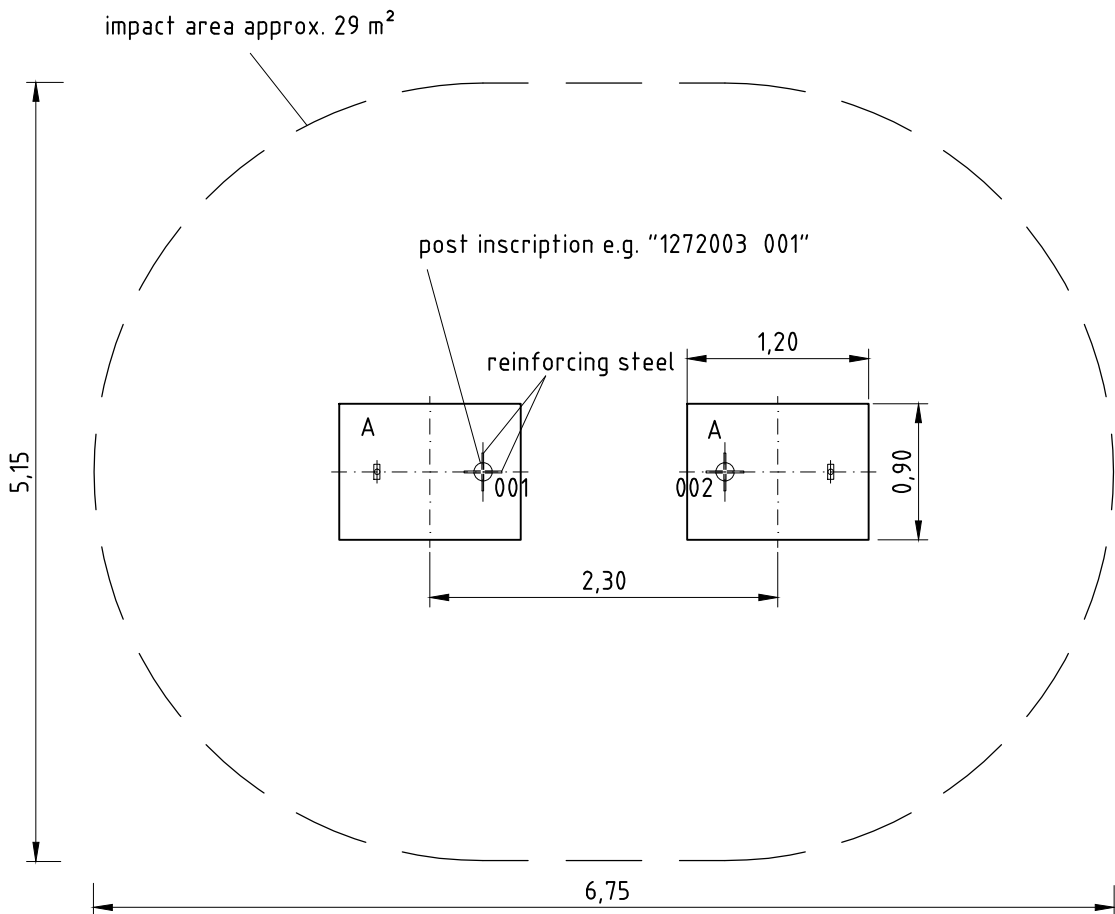
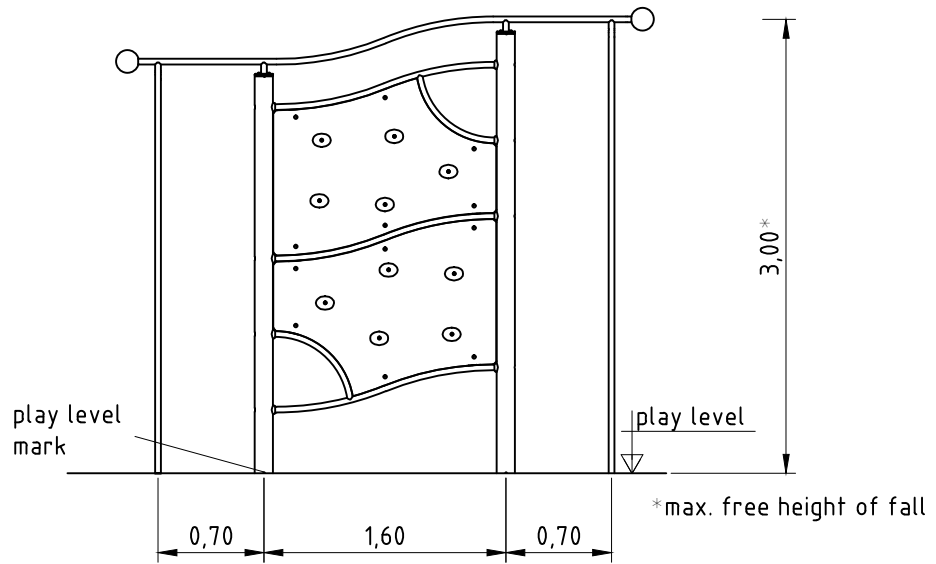
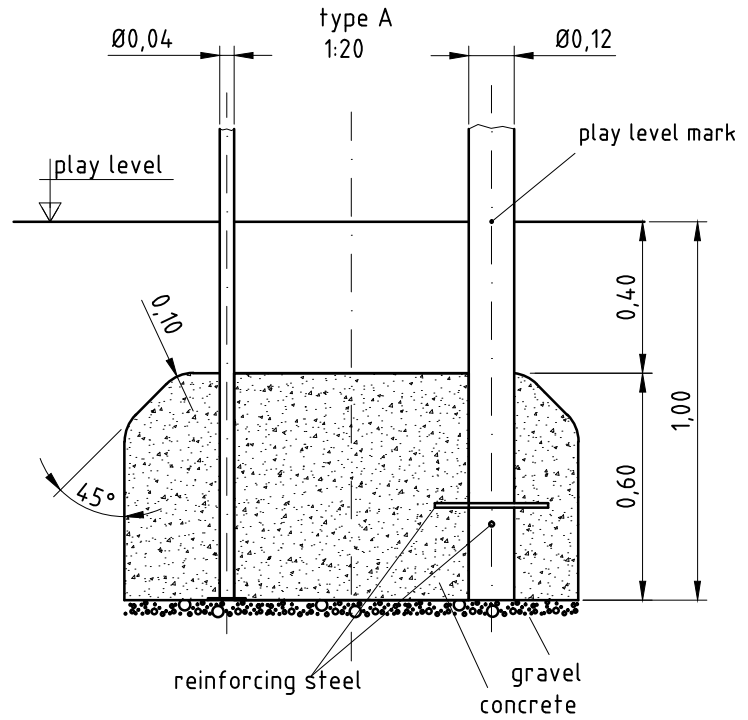


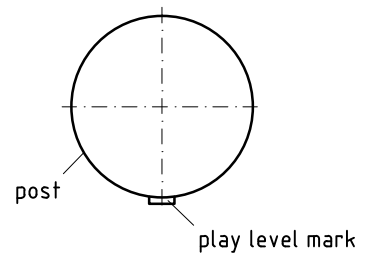
1. Assign a device location considering the space requirements (impact area).
2. Excavate soil for foundations, according to drawing.  
Please note: To achieve maximum stability and a safe installation, a moderate level of soil solubility is required.
3. Pour in a drain layer of gravel of approx. 10 cm thickness between the bottom of the steel posts and plain base of foundation.
4. Insert reinforcing steel into the corresponding holes of the steel posts.
5. Place posts according to the corresponding number into the respective foundation hole. Play level mark (=aluminium blind rivet) complies with the installation depth. Align every post by means of the play level mark facing into the same direction (see detail or foundation layout).
6. **For installation of the pre-assembled components and/or single parts, the screws slightly have to be lubricated with installation paste!**  
**Tighten all screws after having aligned all components.**  
Screw connections see details in list of screw cases attached.  
Before founding the device, the climbing bars must be tightened to the pipe bends (welded nuts on the face side).
7. Grout foundations with compressed concrete C20/25, chamfer and round off the edges, cover the foundations with a surface which meets the requirements for impact attenuation so that the critical fall height of the surfacing shall be equal to, or greater than, the free height of fall of the equipment (acc. to EN 1176-1).
8. Release for play after concrete foundations have set.
9. According to maintenance instructions, check all screw connections after 4-5 weeks and retighten, if necessary.

Please ensure that all special tools supplied (e.g. Allen key for secured Allen screws etc.) and all specific documents which are or may be useful for safety management acc. to EN 1176-7 (e.g. invoice, delivery note, order acknowledgement, installation instructions, maintenance instructions) are forwarded to the persons responsible.





detail of play level mark  
1:5



# Installation

Item-No.  
0-55449-500  
0-55450-500  
0-55451-500

Description  
K&K Climbing wall

Scale  
-

Date  
11/12 EB

Page  
2/3

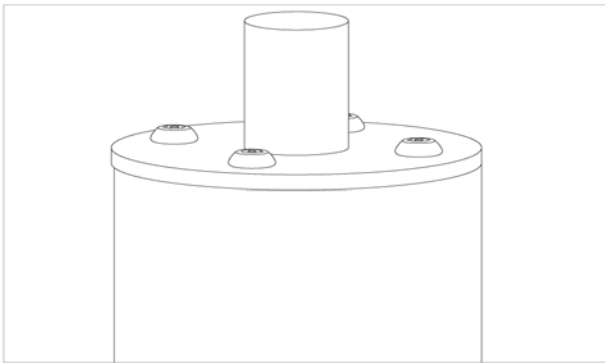
Item: **0-55449-500**  
 K&K Climbing wall  
 Location:

Order:

1298694

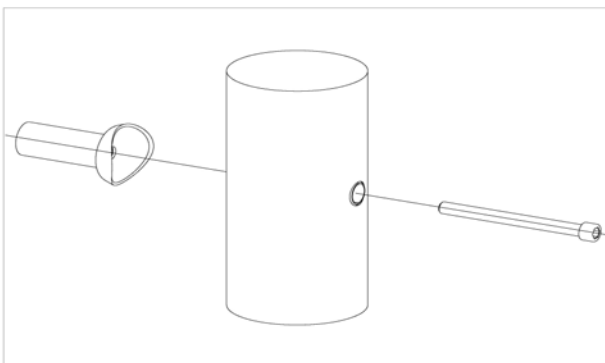
Building Project:

**2 x SFES1240004 Sheet metal/roof at stainless steel posts**



per SC	Total	K&K-Item	Marking
4 x	8 x	3400622	Dome head security bolt M12 x 25 PinHexagon A2 safety coated thread

**8 x SFES1210001 Standard bolting of add-on pieces intended to connect ES120-add-on pieces (except platforms) at support post**



per SC	Total	K&K-Item	Marking
1 x	8 x	2030168	Cheese head screw M12x140 with pin Intended to connect ES120-add-on pieces (except platforms) at support post

**2 x SFES1270001 Reinforcing steel for stainless steel post**



per SC	Total	K&K-Item	Marking
2 x	4 x	2030199	Reinforcing steel ES120 Ø 12 x 250 1.4301

**1 x SFWZ0000013 Lubricating metal, twin bag (2 x 4 g)**



per SC	Total	K&K-Item	Marking
2 x	2 x	5300024	lubricating metal 4g

Item: <b>0-55449-500</b>	Order:	1298694
K&K Climbing wall		
Location:	Building Project:	

**1 x SFWZ0000009 Hexagon insert socket driver 10mm 1/2" with borehole for Pin**



per SC	Total	K&K-Item	Marking
1 x	1 x	2030170	Hexagon insert socket driver 10 mm 1/2" with drill hole for Pin

**1 x SFWZ0000005 Allen key security hex socket AF8**



per SC	Total	K&K-Item	Marking
1 x	1 x	3490057	Allen key security hex socket AF8