

**Installation instructions for plank bridge**

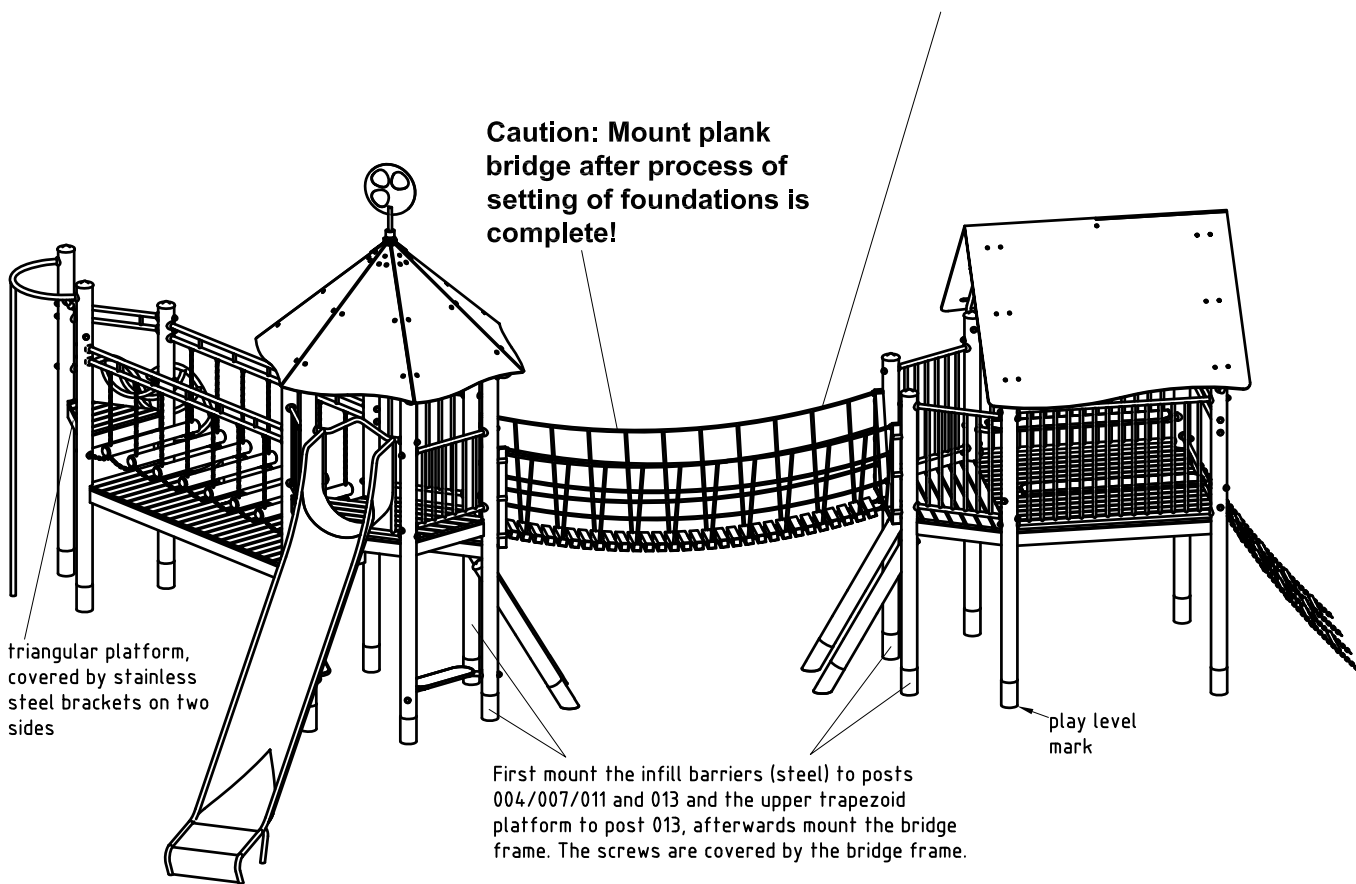
(Screw connections of lateral rail ropes/net barrier to bridge frame see detail on this page)

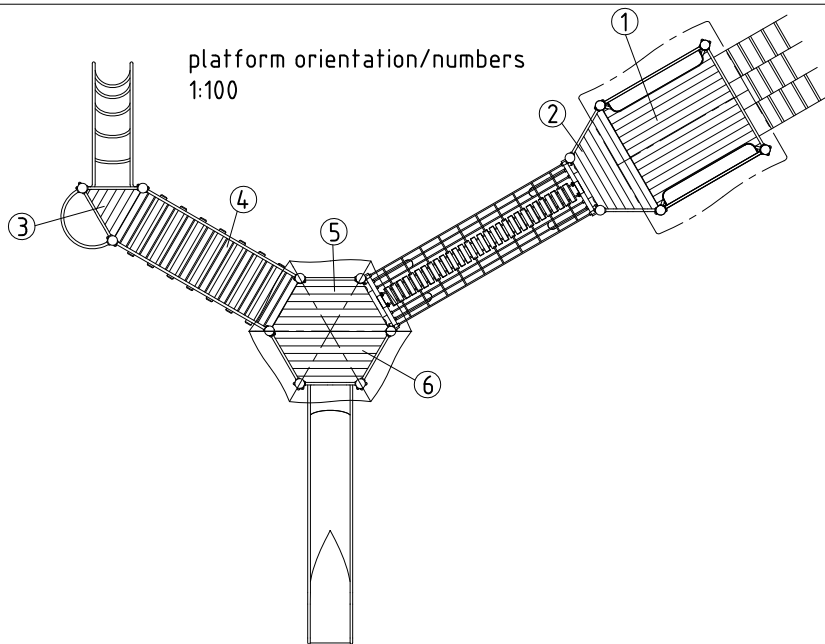
- Screw together the eyebolts M12 at the rope ends of the wooden treads (two pieces on each side) and the fixing links of the bridge frame.

**Caution:** Do not clamp bolted connections, the eyebolts must remain flexible in the fixing links!

- Insert rope ends into connecting piece (socket) of bridge frame until the inner width between bridge frame and first vertical rope is at least 230 mm and the probe D (Ø 230 mm), specified in the standard for playground equipment and surfacing EN 1176-1, passes through the meshes of the lateral rail ropes. Perform test in the most onerous way. Once inserted into the socket, the aluminium sleeve pressed-on the rope end must be located behind the hole for oval head countersunk screw. Do not screw through the metal ring, this will destroy the rope end. Fix rope ends.

- The difference in height between the two terminal points must not exceed 0,40m. With an inclined installation, the meshes of the side rail ropes have to be checked for any possible head entrapment point, as specified in the standard for playground equipment and surfacing EN 1176-1. With the design of the lateral rail ropes given, each single mesh has to be big enough to facilitate that probe D (Ø 230 mm) passes through. Also perform this test in the most onerous way.





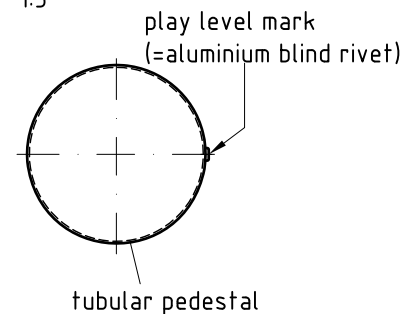
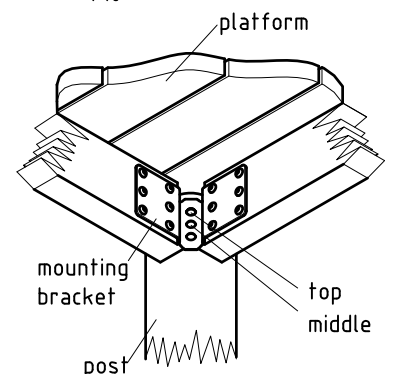
1. Assign a device location considering the space requirements (impact area). Slide direction recommended: north-east or in half-shade of trees.
2. Excavate soil for foundations, according to drawing.  
Please note: To achieve maximum stability and a safe installation, a moderate level of soil solubility is required.
3. Pour in a drain layer of gravel of approx. 10 cm thickness between the bottom of the tubular pedestals and plain base of foundation.
4. Insert reinforcing steel into the corresponding holes of the tubular pedestals.
5. Place posts according to the corresponding number into the respective foundation hole (see foundation layout). Play level mark (=aluminium blind rivet) complies with the installation depth. Align every post by means of the play level mark facing into the same direction (see detail or foundation layout).
6. **For installation of the pre-assembled components and/or single parts, the screws slightly have to be lubricated with installation paste!**  
Screw together platforms and posts by using the respective hole in the mounting brackets (according to chart).  
**Tighten all screws after having aligned all components.**  
Install the slide exit with an inclination of 5° in sliding direction.  
Screw connections see details in attached list.  
We recommend not to insert the protection caps enclosed before first maintenance as they are only suitable for one-time use (see description in item No. 9).
7. Grout foundations with compressed concrete C20/25, chamfer and round off the edges, cover the foundations with a surface which meets the requirements for impact attenuation so that the critical fall height of the surfacing is equal to, or greater than, the free height of fall of the equipment (acc. to EN 1176-1). The run-out section fall zone must have surfacing with a critical fall height of at least 1000mm (acc. to EN 1176-3).
8. Release for play after concrete foundations have set.
9. According to maintenance instructions, check all screw connections after 4-5 weeks and retighten, if necessary. Afterwards cover the screw heads with protection caps as follows: Insert grey protection caps into the countersunk drills (e.g. for platforms). The non-countersunk drills (e.g. for railings or a slide) have to be covered with the red protection caps by placing them onto the base part. Strongly pound them (e.g. by using a plastic mallet) until they audibly snap into the base part groove.

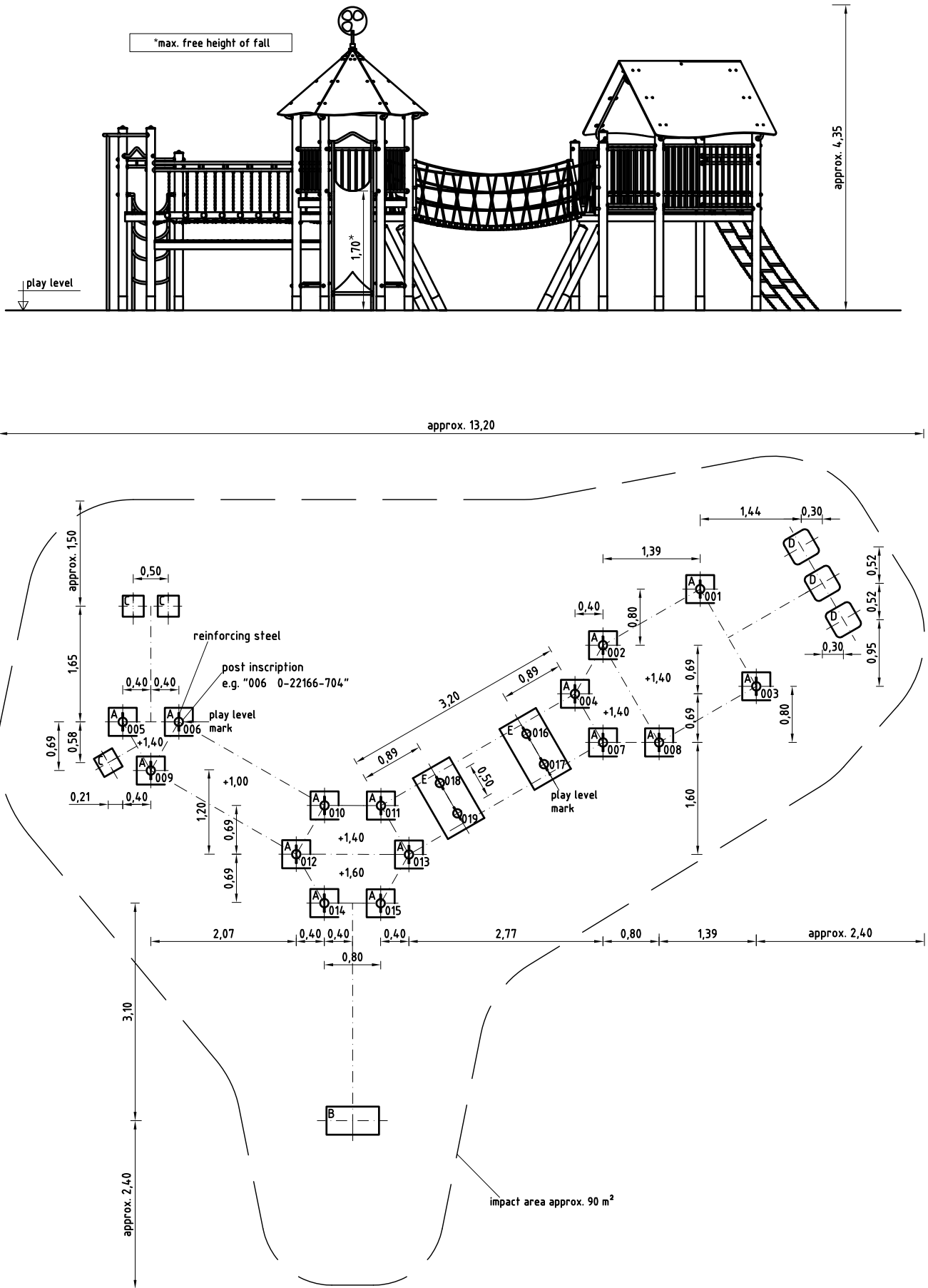
Please ensure that all special tools supplied (e.g. Allen key for secured Allen screws etc.) and all specific documents which are or may be useful for safety management acc. to EN 1176-7 (e.g. invoice, delivery note, order acknowledgement, installation instructions, maintenance instructions) are forwarded to the persons responsible.

**Necessarily insert all attachment parts before tightening the screws.  
It is NOT possible to insert them afterwards.**

chart platform fastening

platform-no.	fastening hole		
	top	middle	bottom
1	x		
2		x	
3		x	
4		x	
5		x	
6		x	

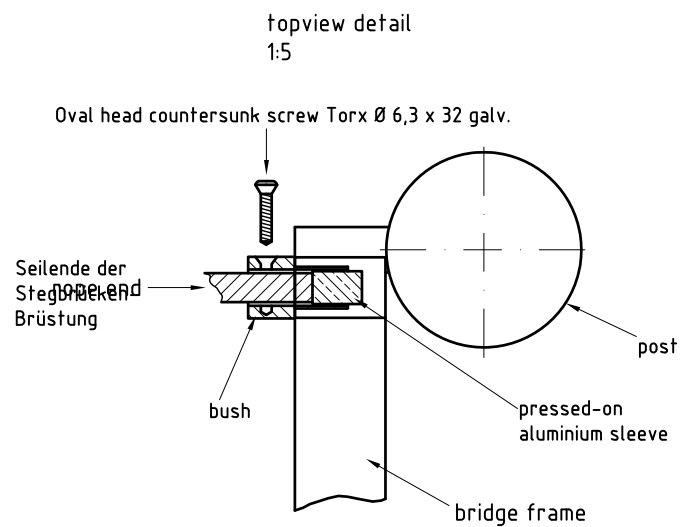
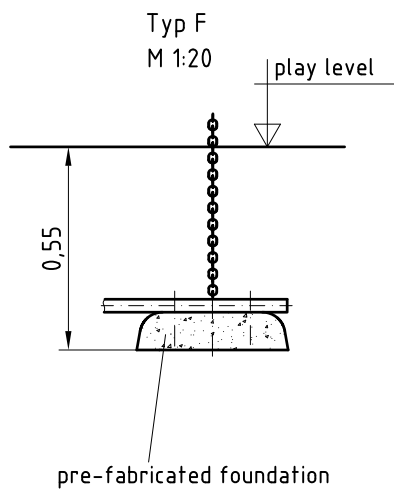
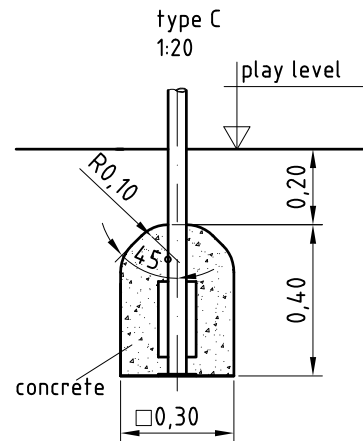
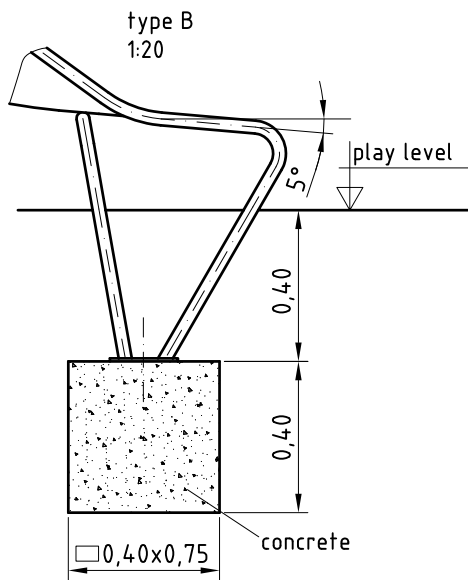
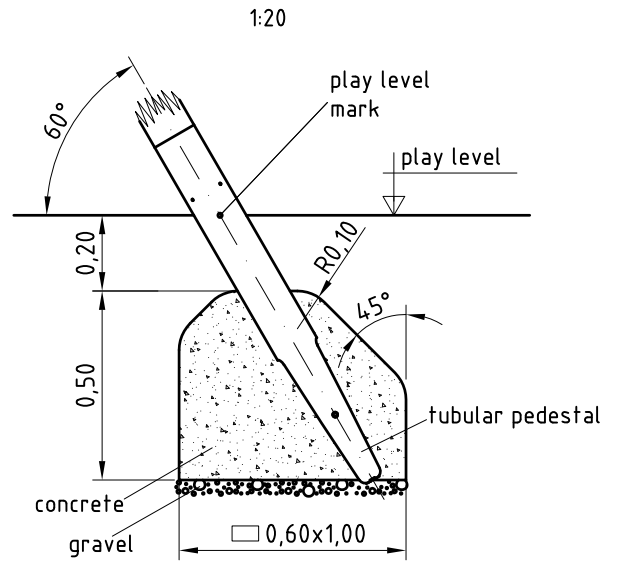
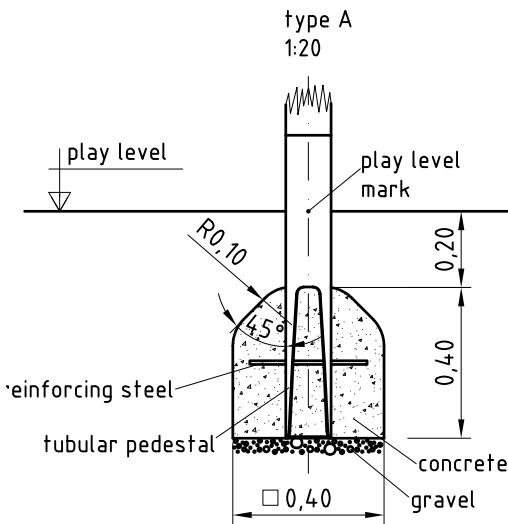
play level mark  
1:5platform fastening  
1:10



**Please note:**

Due to the format size, this installation is not to scale (apart from single details).  
Please refer to the dimensions indicated.  
An installation documentation scale 1:50 can be submitted on request.

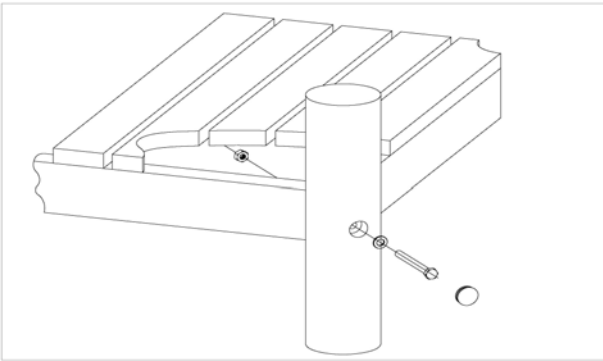
Installation	Item-No.	Description	Scale	Date	Page
	0-22166-704	K&K Play structure	-	12/14 ME	3/4



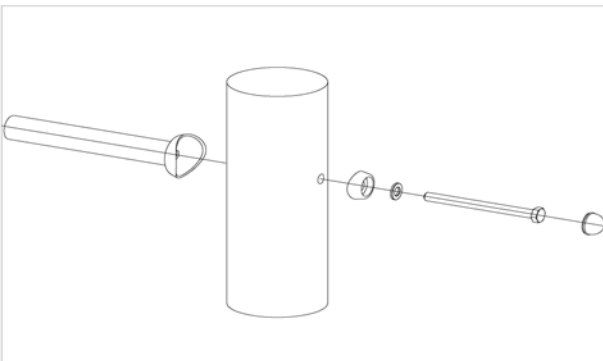
**Item: 0-22166-704**  
 K&K Play structure

**Order:**

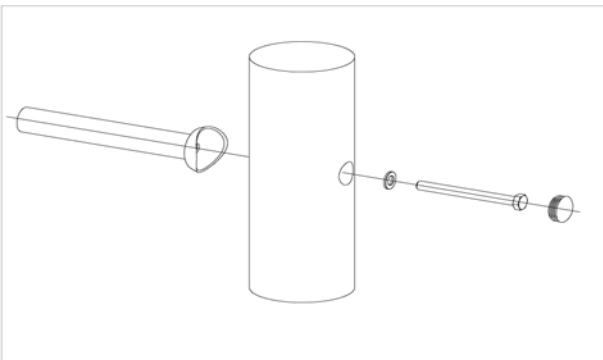
1292366

**Location:**
**Building Project:**
**23 x SFRS1200001 Platform at robinia posts, nut on platform side**


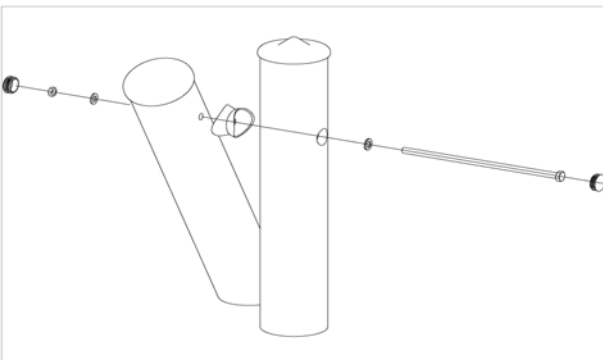
per SC	Total	K&K-Item	Marking
1 x	23 x	3400700	Hexagon head screw M12 x 120 DIN931 A2 with screw security coating/FGB red
1 x	23 x	3300016	Grey domed plastic cover cap SL 36 G
1 x	23 x	3430129	Washer Ø 14 DIN1440 A2
1 x	23 x	3430021	Lock nut M12 DIN985 A2

**56 x SFRS1210001 Standard bolting for parapet, handrail, slide etc. at robinia posts**


per SC	Total	K&K-Item	Marking
1 x	56 x	3300054	Screw cap - lower part, domed M12 colour red/RAL 2002 PA6
1 x	56 x	3300055	Screw cap - upper part M12 P2 colour red/RAL 2002 PA6
1 x	56 x	3430025	Washer Ø 13 DIN125 A2
1 x	56 x	3400702	Hexagon head cap screw M12 x 160 DIN931 A2 with screw security coating FGB red

**18 x SFRS1230004 Standard bolting of climbing bar, ramp etc. to robinia posts with countersunk holes**


per SC	Total	K&K-Item	Marking
1 x	18 x	3300016	Grey domed plastic cover cap SL 36 G
1 x	18 x	3430129	Washer Ø 14 DIN1440 A2
1 x	18 x	3400701	Hexagon head cap screw M12 x 130 DIN931 A2 with screw retention coating/FGB red

**4 x SFRS1200010 Robinia bridge-support-post at robinia post**


per SC	Total	K&K-Item	Marking
2 x	8 x	3430129	Washer Ø 14 DIN1440 A2
1 x	4 x	3400486	Hexagon head cap screw M12 x 250 DIN931 A2
1 x	4 x	3430021	Lock nut M12 DIN985 A2
2 x	8 x	3300016	Grey domed plastic cover cap SL 36 G

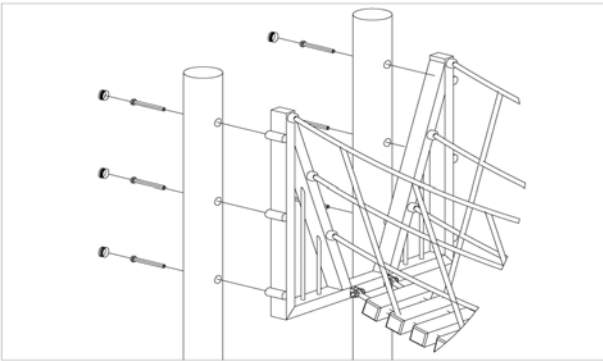
Item: **0-22166-704**  
 K&K Play structure  
 Location:

Order:

1292366

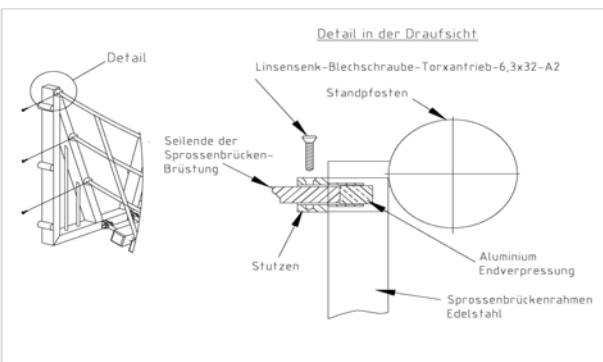
Building Project:

**12 x SFRS1200006 Plank bridge frame at robinia posts**



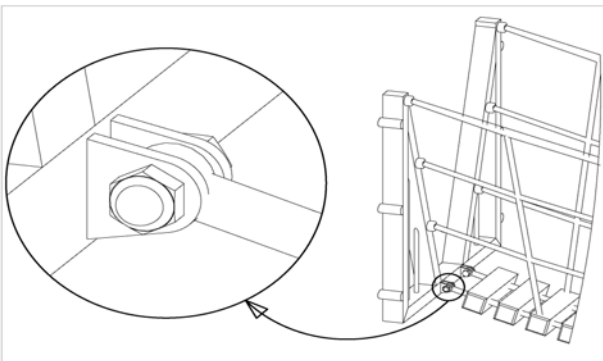
per SC	Total	K&K-Item	Marking
1 x	12 x	3400395	Hexagon head cap screw M12 x 110 DIN931 A2
1 x	12 x	3300016	Grey domed plastic cover cap SL 36 G
1 x	12 x	3430129	Washer Ø 14 DIN1440 A2

**2 x SFAS1200001 Rail ropes for plank bridge at plank bridge frame**



per SC	Total	K&K-Item	Marking
6 x	12 x	3400515	Oval head countersunk screw Torx Ø 6,3 x 32 galv.

**2 x SFAS1200004 supporting cable for plank bridge at frame**



per SC	Total	K&K-Item	Marking
2 x	4 x	3430051	Hexagon cap nut M12 DIN 986 A2
2 x	4 x	3430025	Washer Ø 13 DIN125 A2
2 x	4 x	2030519	Fixing screw M12x45 for plank bridges

**1 x SFWZ0000010 Security bit TORX PLUS IPR 30 x 25**

per SC	Total	K&K-Item	Marking
1 x	1 x	3490038	Security bit TORX PLUS IPR 30 x 25



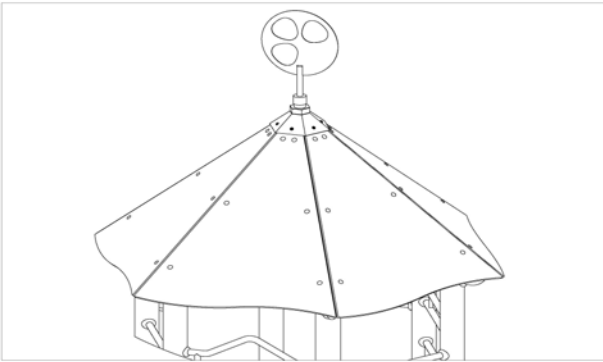
Item: **0-22166-704**  
 K&K Play structure  
 Location:

Order:

1292366

Building Project:

**1 x SFAS1240014 Tent roof 6 x 0.8 m with wind mobile**  
**HPL plates at stay tubes and wind mobile onto HPL-plates**



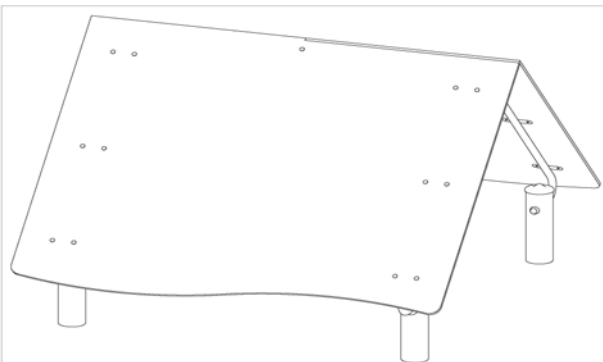
per SC	Total	K&K-Item	Marking
36 x	36 x	3430014	Washer Ø 10,5 DIN 125 B A2
6 x	6 x	3400673	Dome head security bolt M8 x 20 Resistorx A2
6 x	6 x	3430102	Washer Ø 8.4 DIN9021 A2
36 x	36 x	3430011	Hexagon cap nut M10 DIN986 A2
36 x	36 x	3400138	Mushroom head screw square neck M10x30 DIN 60

**1 x SFWZ0000001 Security TORX wrench TR40**

per SC	Total	K&K-Item	Marking
1 x	1 x	3490081	Security TORX wrench TR40

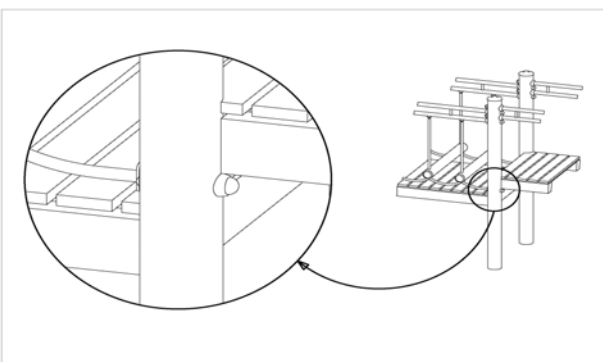


**1 x SFAS1240006 Gable roof 1.6 m x 1.6 m**  
**HPL plates at stay tubes and bolted down angle brackets on the inside**



per SC	Total	K&K-Item	Marking
26 x	26 x	3430014	Washer Ø 10,5 DIN 125 B A2
1 x	1 x	6240001	Corner plate for gable roof 90°
26 x	26 x	3430011	Hexagon cap nut M10 DIN986 A2
26 x	26 x	3400138	Mushroom head screw square neck M10x30 DIN 60

**4 x SFRS1200008 Timber course connection-chain**  
**for totter bridge at support post**



per SC	Total	K&K-Item	Marking
1 x	4 x	3430025	Washer Ø 13 DIN125 A2
1 x	4 x	3300055	Screw cap - upper part M12 P2 colour red/RAL 2002 PA6
1 x	4 x	3430021	Lock nut M12 DIN985 A2
1 x	4 x	3300054	Screw cap - lower part, domed M12 colour red/RAL 2002 PA6

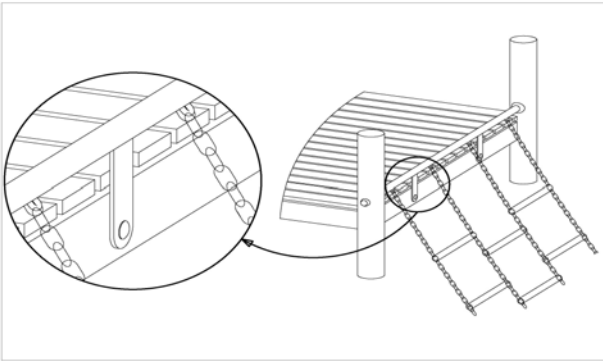
**Item: 0-22166-704**  
 K&K Play structure

Order:

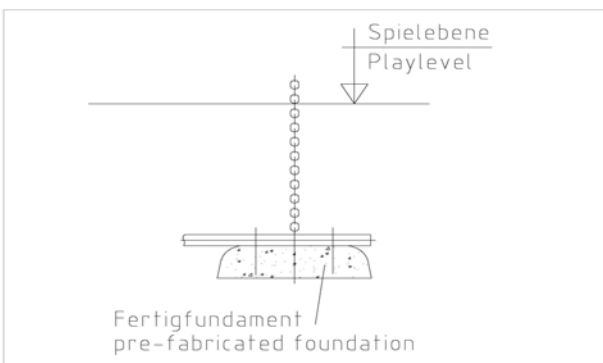
1292366

Location:

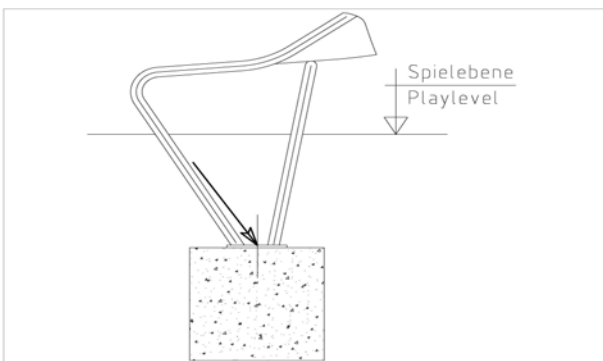
Building Project:

**1 x SFAS1230003 Chain ladder 1.6 m at platform stringer**


per SC	Total	K&K-Item	Marking
2 x	2 x	3300057	Screw cover cap M 10 P1 (upper part) white colour white, RAL 9010, PA6
2 x	2 x	3430048	Lock nut M10 DIN 985 A2
2 x	2 x	3430014	Washer Ø 10,5 DIN 125 B A2
2 x	2 x	3300056	Screw cap M 10 P1 (lower part) white RAL 9010 colour white, RAL 9010, PA6
2 x	2 x	3400416	Mushroom head screw M10 x 65 DIN603 A2

**3 x SFAS1230007 Connection pipe between chain ladder/space net/ climbing net and prefabricated foundation (item N° 15150)**


per SC	Total	K&K-Item	Marking
2 x	6 x	3430025	Washer Ø 13 DIN125 A2
2 x	6 x	3400498	Hexagon head cap screw M12 x 55 DIN931 A2

**1 x SFAS1070006 Slide run-out section (up to 2,00 m) on foundation stone bolt assembly**


per SC	Total	K&K-Item	Marking
2 x	2 x	1070365	Set of stone bolts for slide run-out section M12x160

**19 x SFES1270007 Reinforcing steel for tubular pedestals**


per SC	Total	K&K-Item	Marking
1 x	19 x	2130000	Reinforcing steel Ø 10 x 310 DIN 488



Item: **0-22166-704**  
K&K Play structure

Order:

1292366

Location:

Building Project:

**2 x SFWZ0000012 Lubricating metal (30g box) incl. brush**



per SC	Total	K&K-Item	Marking
1 x	2 x	5300039	Lubricating metal box à 30g
1 x	2 x	5200026	Brush for lubricating metal