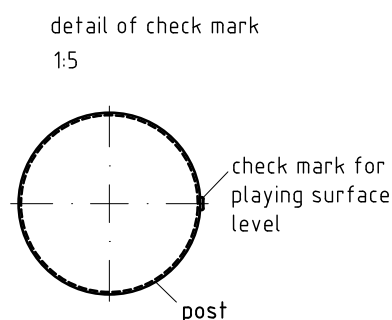
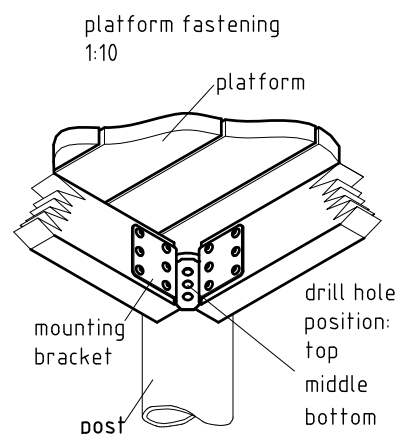
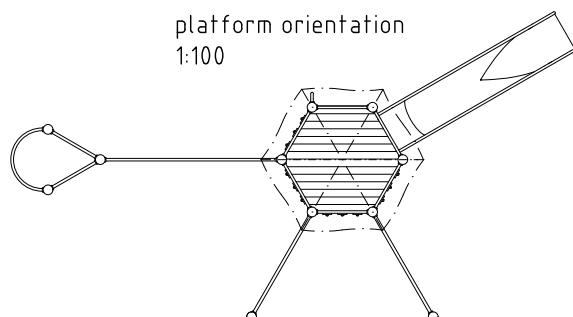


# Installation

Item No.	Description	Scale	Date	Page
0-21634-501	K&K Play structure	1:50	10/18 EB	1/4

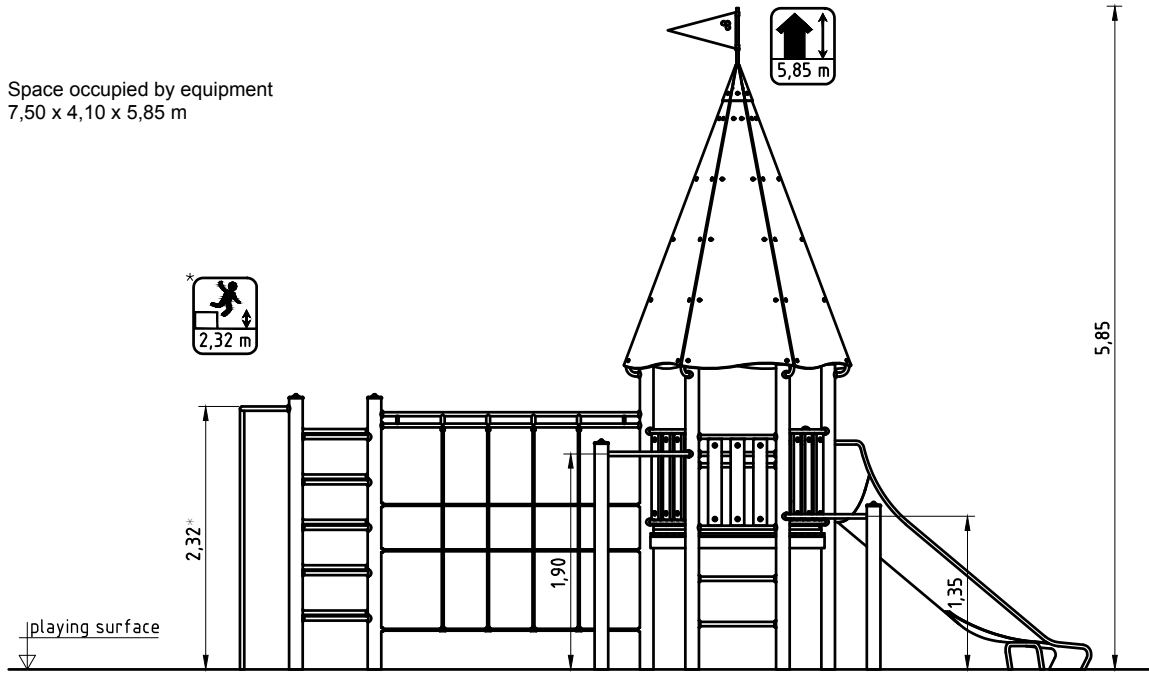


1. Assign a device location considering the space requirements (impact area). Slide direction recommended: north-east or in half-shade of trees.
2. Excavate soil for foundations, according to drawing.  
Please note: To achieve maximum stability and a safe installation, a moderate level of soil solubility is required.
3. Pour in a drain layer of gravel of approx. 10 cm thickness between the bottom of the posts and plain base of foundation.
4. Insert reinforcing steel into the corresponding holes of the posts.
5. Place posts type A according to the corresponding number (see foundation layout) into the respective foundation hole. Play level mark (=aluminium blind rivet) complies with the installation depth. Align every post by means of the play level mark facing into the same direction (see detail or foundation layout).
- 6. For installation of the pre-assembled components and/or single parts, the screws slightly have to be lubricated with installation paste!**  
Screw together platform and posts by using the middle hole in the mounting brackets.  
**Tighten all screws after having aligned all components.**  
Install the slide exit with an inclination of 5° in sliding direction so that rain water can drain off.  
Screw connections see details in attached list.
7. Grout foundations with compressed concrete C20/25, chamfer and round off the edges, cover the foundations with a surface which meets the requirements for impact attenuation so that the critical fall height of the surfacing is equal to, or greater than, the free height of fall of the equipment (acc. to EN 1176-1). The run-out section fall zone must have surfacing with a critical fall height of at least 1000mm (acc. to EN 1176-3).
8. Release for play after concrete foundations have set.
9. According to maintenance instructions, check all screw connections after 4-5 weeks and retighten, if necessary.

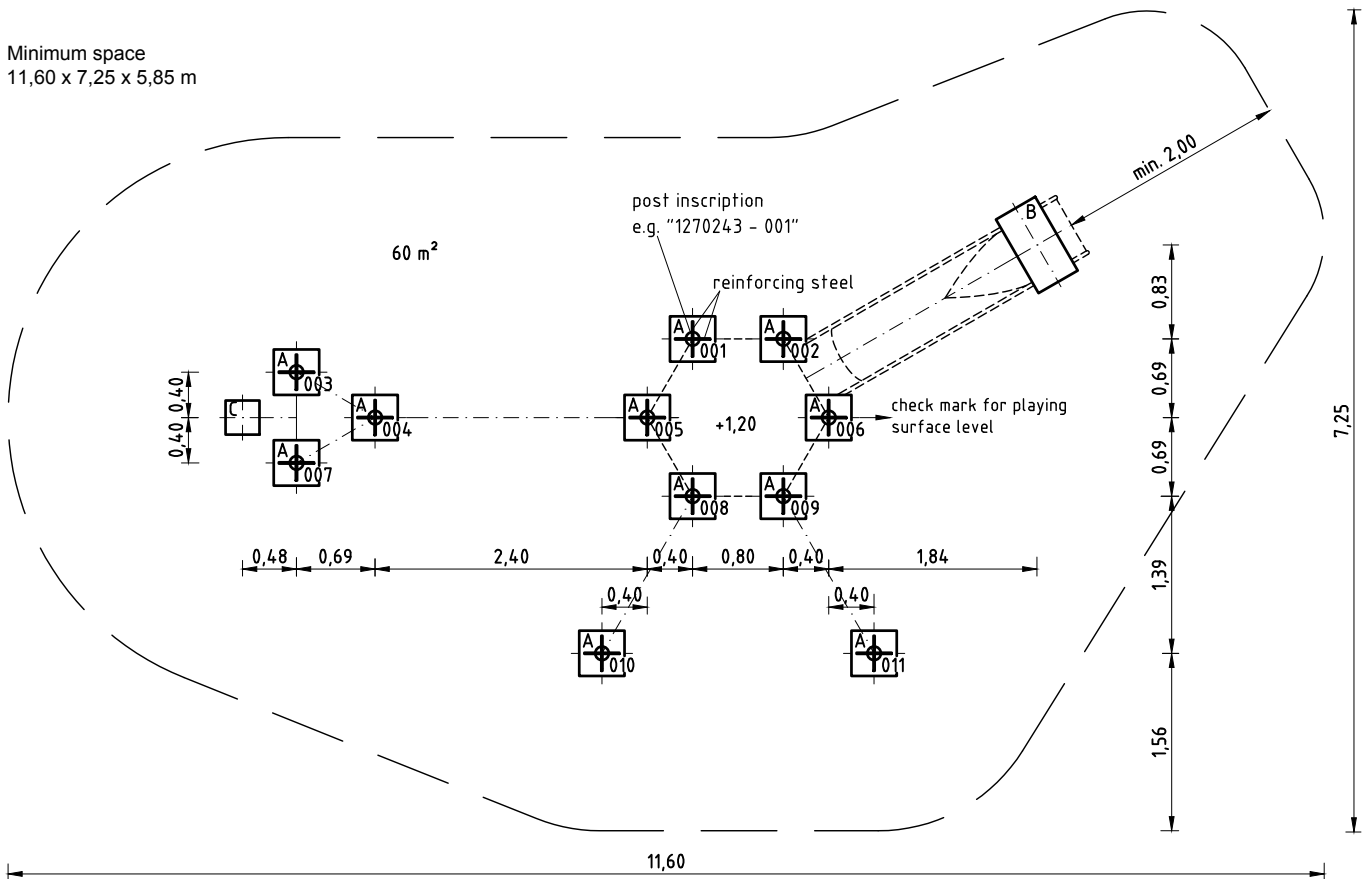
Please ensure that all special tools supplied (e.g. Allen key for secured Allen screws etc.) and all specific documents which are or may be useful for safety management acc. to EN 1176-7 (e.g. invoice, delivery note, order acknowledgement, installation instructions, maintenance instructions) are forwarded to the persons responsible.

**Necessarily insert all attachment parts before tightening the screws. It is NOT possible to insert them afterwards.**

Space occupied by equipment  
7,50 x 4,10 x 5,85 m



Minimum space  
11,60 x 7,25 x 5,85 m

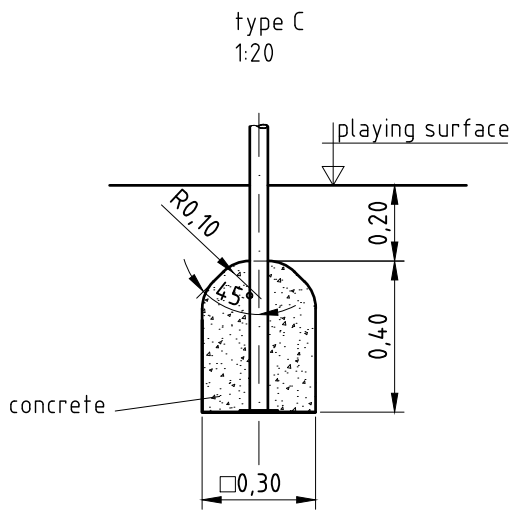
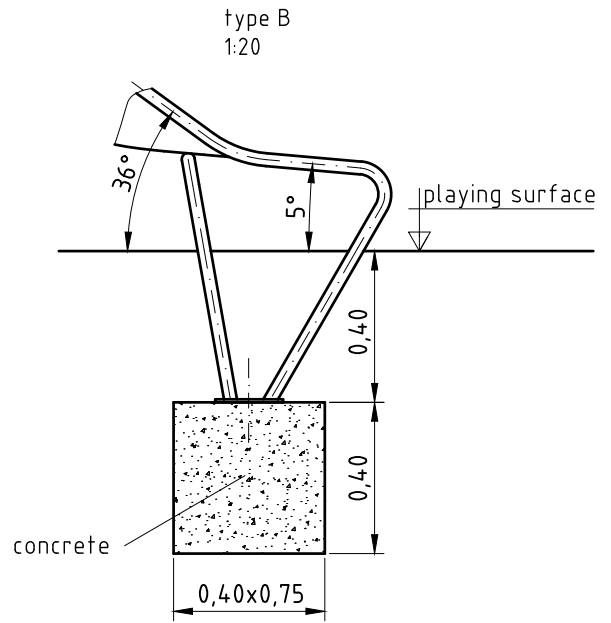
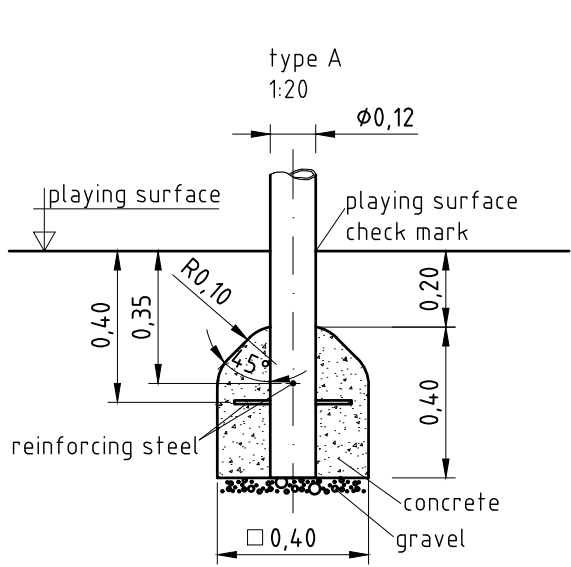


**Please note:**

Due to the format size, this installation is not to scale (apart from single details).

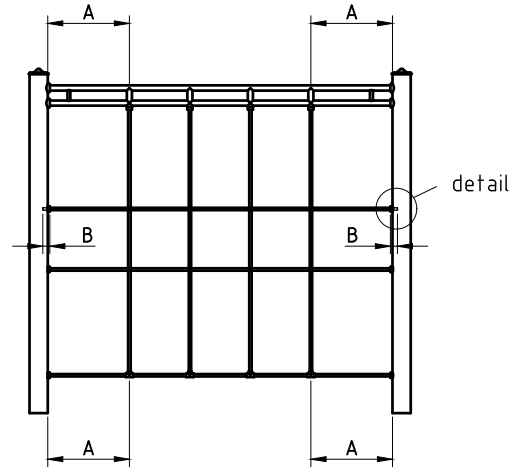
Please refer to the dimensions indicated.

An installation documentation scale 1:50 can be submitted on request.

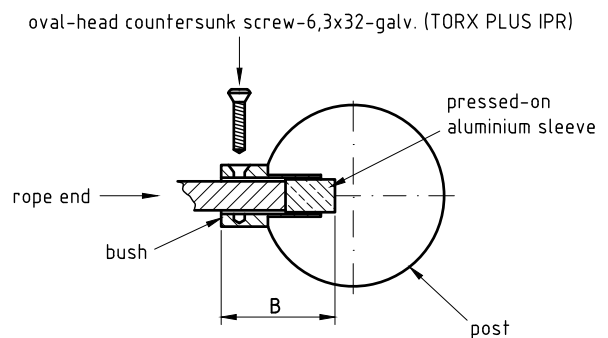


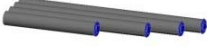





Installation of climbing net  
1:50



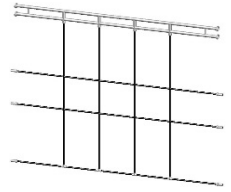
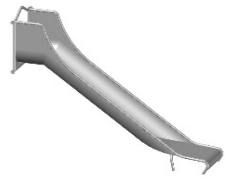
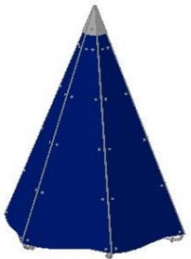
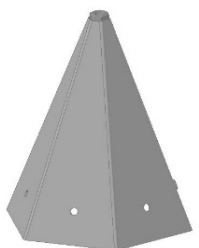
Insert horizontal rope ends into the bushes until the metal sleeve pressed-on the end is located behind the lateral drill. Center the net with average distances A and B.

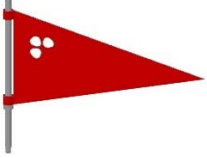
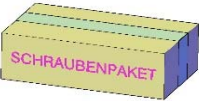


topview detail  
1:5



<u>Parts list</u>		021634501	GB
item no.	quantity	description	image
1270243	1	set of 11 pcs. of stainless steel posts with stainless steel post cap / blue RAL 5015	
1200006	1	hexagonal platform 6 x 0,80	
1210360	2	stainless steel horizontal bar 1,60 m	
1210022	1	tandem guardrail 0,80 m	
1210011	4	timber infill barrier 0,80 m x 0,80 m	
1210359	12	horizontal bar/ladder rung 0,80 m	

<u>Parts list</u>			021634501	GB
item no.	quantity	description	image	
1210047	1	vertical stainless steel handle 0,60 m		
1230003	1	vertical climbing pole 2,30 m / horizontal arch		
1230080	1	black climbing net 2,40 m x 2,20 m type 1		
041413001	1	K&K Trough-shaped attachment slide (1,20)		
1240078	1	tower-shaped roof 72° / 6 x 0,80m / royal blue HPL		
6240031	1	hood for tower roof 72° with flag receptacle		

<u>Parts list</u>			021634501	GB
item no.	quantity	description	image	
1240081	1	straight red flag/RAL 2002 incl. flag pole		
1293483	1	fastening kit for 021634501		

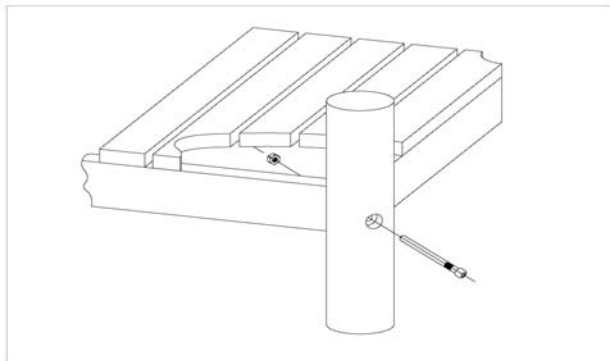
Item: **021634501**  
 K&K Play structure  
 Location:

Order:

1293483

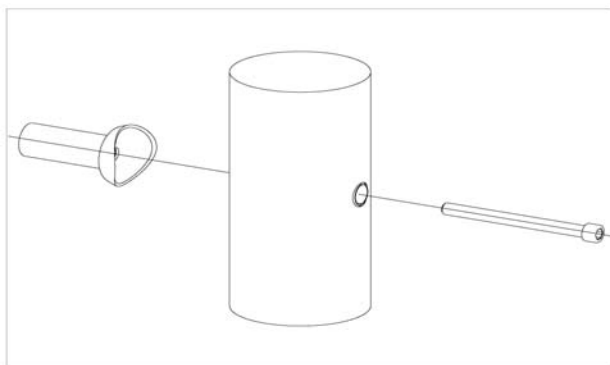
Building Project:

**6 x SFES1200001 Platform fastening to stainless steel post, nut on the side of the platform**



per SC	Total	K&K-Item	Marking
1 x	6 x	3430021	Lock nut M12 DIN985 A2
1 x	6 x	2030651	Cheese head screw with pin M12 x 125

**66 x SFES1210001 Standard bolting of attachment parts (except platforms) to stainless steel posts**



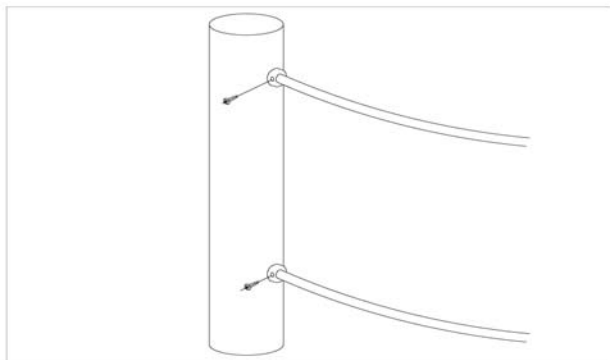
per SC	Total	K&K-Item	Marking
1 x	66 x	2030168	Cheese head screw with pin M12x140

**1 x SFAS1240012 Fastening of HPL panels with rounded edges to steel frame of tower-shaped roof 72°**



per SC	Total	K&K-Item	Marking
60 x	60 x	3430011	Hexagon cap nut M10 DIN986 A2
60 x	60 x	3430014	Washer Ø 10,5 DIN 125 B A2
6 x	6 x	3400195	Dome head security screw-M10x30-Resistorx T45 A
6 x	6 x	3430086	Washer Ø 10,5 DIN9021 A2
60 x	60 x	3400138	mushroom head screw square neck M10x30 DIN 60

**6 x SFAS1230005 Climbing net/rope fastening to post**



per SC	Total	K&K-Item	Marking
1 x	6 x	3400515	Oval head countersunk screw Torx Ø 6,3 x 32 galv.



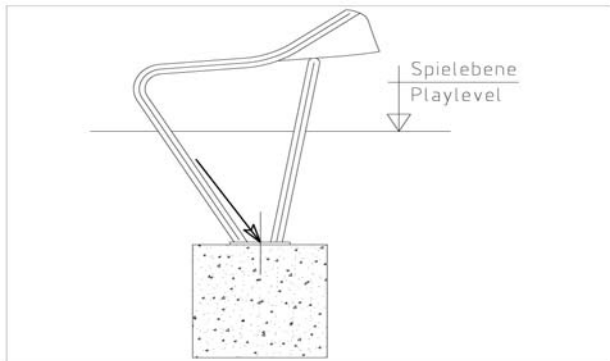
Item: **021634501**  
 K&K Play structure  
 Location:

Order:

1293483

Building Project:

**1 x SFAS1070006 Slide run-out section (up to 2,00 m) on foundation stone bolt assembly**



per SC	Total	K&K-Item	Marking
2 x	2 x	1070365	Set of stone bolts for slide run-out section M12x160

**11 x SFES1270001 Reinforcing steel for stainless steel posts**



per SC	Total	K&K-Item	Marking
2 x	22 x	2130000	Reinforcing steel Ø 10 x 310 DIN 488

**1 x SFWZ0000001 Security TORX wrench TR40**

per SC	Total	K&K-Item	Marking
1 x	1 x	3490081	Security TORX wrench TR40



**1 x SFWZ0000009 Hexagon insert socket driver 10mm 1/2" with borehole for Pin**

per SC	Total	K&K-Item	Marking
1 x	1 x	2030170	Hexagon insert socket driver 10 mm 1/2" with drill hole for Pin



Item: **021634501**  
K&K Play structure

Order:

1293483

Location:

Building Project:

**1 x SFWZ000010 Security bit TORX PLUS IPR 30 x 25**

per SC	Total	K&K-Item	Marking
1 x	1 x	3490038	Security bit TORX PLUS IPR 30 x 25



**2 x SFWZ000012 Lubricating metal (30g box) incl. brush**

per SC	Total	K&K-Item	Marking
1 x	2 x	5300039	Lubricating metal box 30g
1 x	2 x	5200026	Brush for lubricating metal

