

# Installation

| Item-No.    | Description              | Scale | Date     | Page |
|-------------|--------------------------|-------|----------|------|
| 0-55485-703 | K&K Climbing combination | -     | 04/19 EB | 1/5  |

1. Assign a device location considering the space requirements (impact area).  
Slide direction recommended: north-east or in half-shade of trees.
2. Excavate soil for foundations, according to drawing.  
Please note: To achieve maximum stability and a safe installation, a moderate level of soil solubility is required.
3. Pour in a drain layer of gravel of approx. 10 cm thickness between the bottom of the posts and plain base of foundation.
4. Insert reinforcing steel into the corresponding holes of the posts.
5. Place posts type A according to the corresponding number (see foundation layout) into the respective foundation hole. Play level mark (=aluminium blind rivet) complies with the installation depth. Align every post by means of the play level mark facing into the same direction (see detail or foundation layout).

**6. For installation of the pre-assembled components and/or single parts, the screws slightly have to be lubricated with installation paste!**

Screw together platforms and posts by using the middle hole in the mounting brackets.

**Tighten all screws after having aligned all components.**

Install the slide exit with an inclination of 5° in sliding direction.

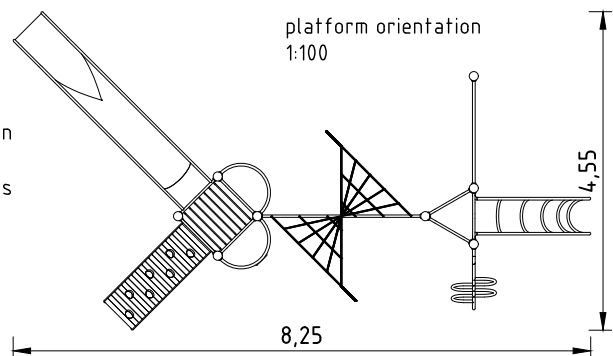
Screw connections see details in attached list.

We recommend not to insert the protection caps enclosed before first maintenance as they are only suitable for one-time use (see description in item No. 9).

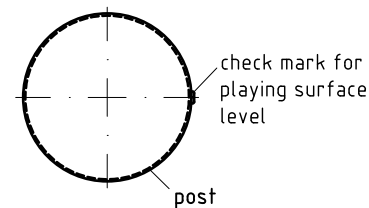
7. Grout foundations with compressed concrete C20/25, chamfer and round off the edges, cover the foundations with a surface which meets the requirements for impact attenuation so that its critical fall height is equal to or greater than the maximum free height of fall of the equipment (acc. to EN 1176-1). The run-out section fall zone must have surfacing with a critical fall height of at least 1000 mm (acc. to EN 1176-3).
8. Release for play after concrete foundations have set.
9. According to maintenance instructions, check all screw connections after 4-5 weeks and retighten, if necessary. Afterwards cover the screw heads with protection caps as follows: Insert grey protection caps into the countersunk drills (e.g. for platforms). The non-countersunk drills (e.g. for railings or a slide) have to be covered with the red protection caps by placing them onto the base part. Strongly pound them (e.g. by using a plastic mallet) until they audibly snap into the base part groove.

Please ensure that all special tools supplied (e.g. Allen key for secured Allen screws etc.) and all specific documents which are or may be useful for safety management acc. to EN 1176-7 (e.g. invoice, delivery note, order acknowledgement, installation instructions, maintenance instructions) are forwarded to the persons responsible.

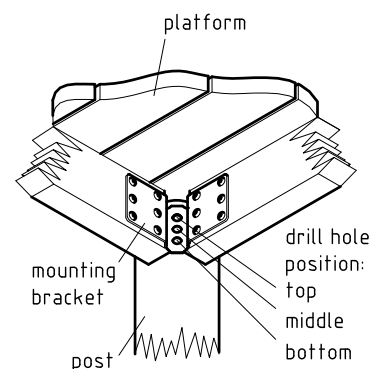
**Necessarily insert all attachment parts before tightening the screws. It is NOT possible to insert them afterwards.**

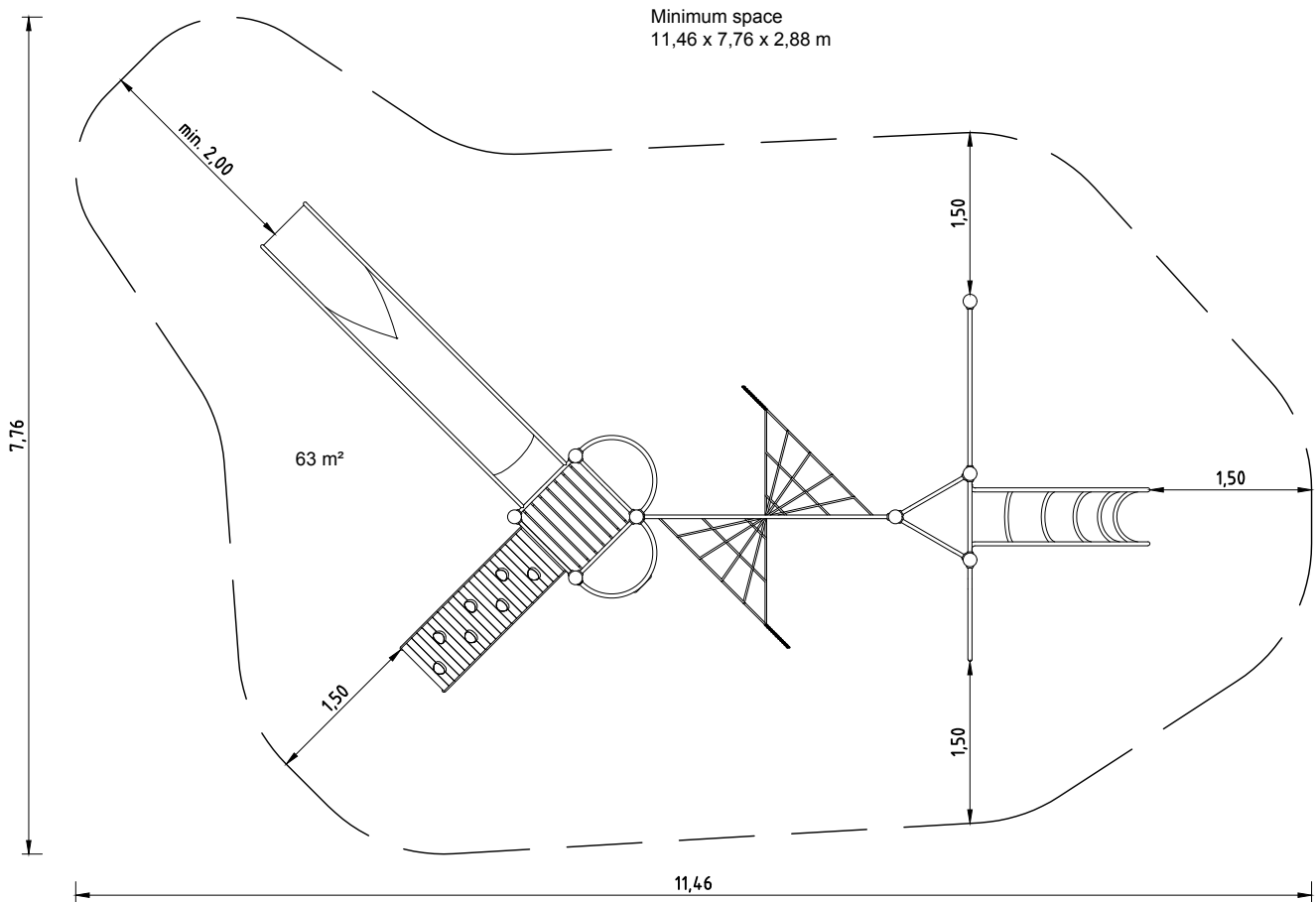


detail of check mark  
1:5



platform fastening  
1:10



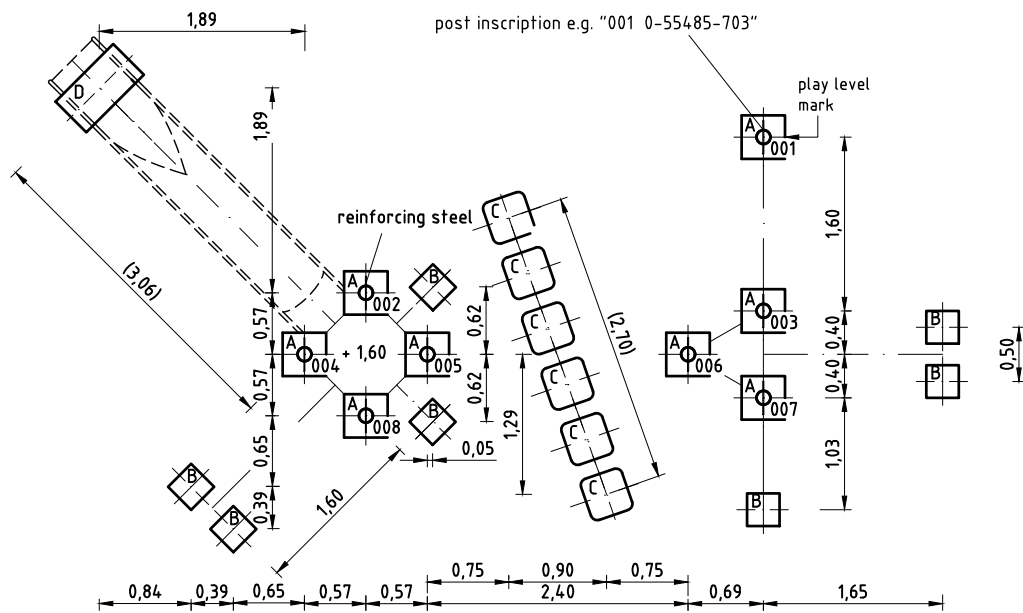
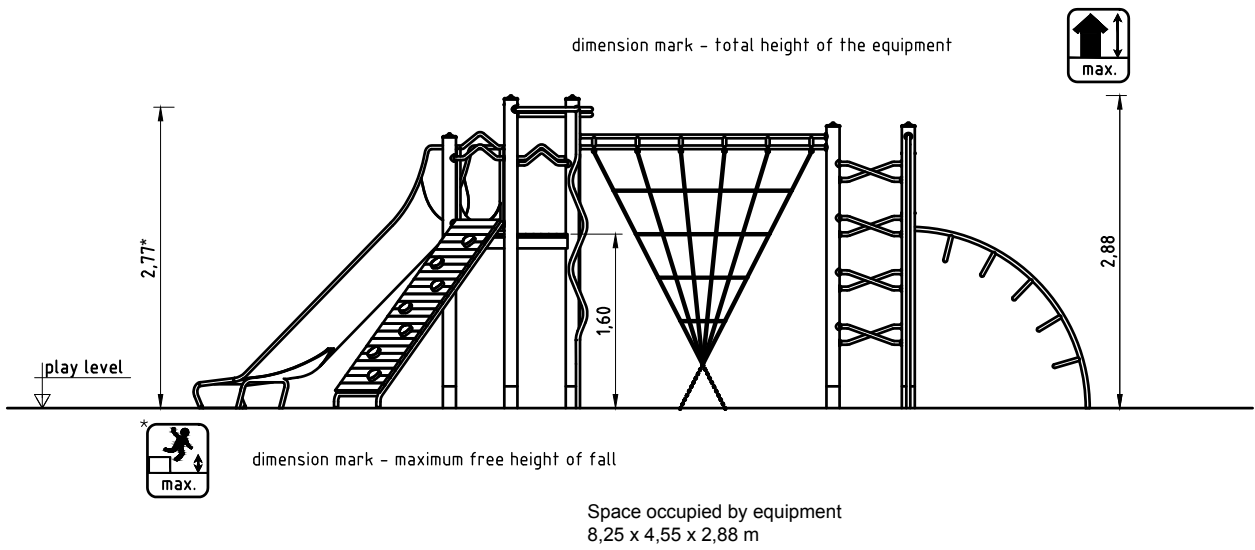


**Please note:**

Due to the format size, this installation is not to scale (apart from single details).

Please refer to the dimensions indicated.

An installation documentation scale 1:50 can be submitted on request.

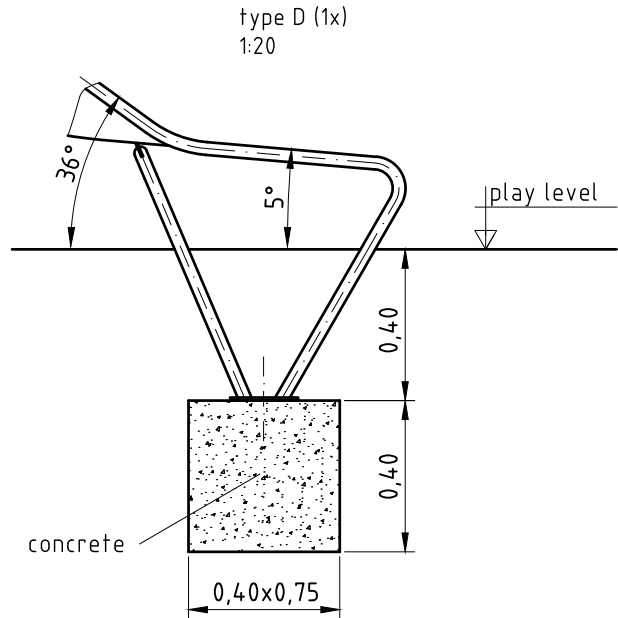
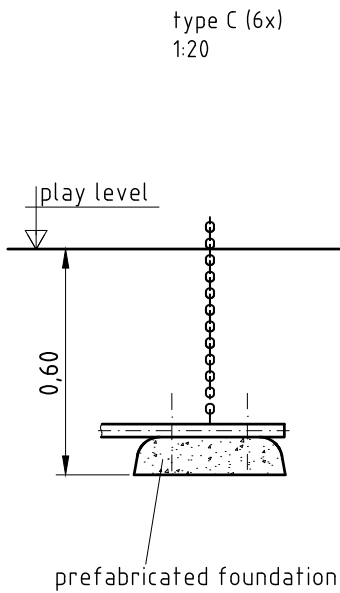
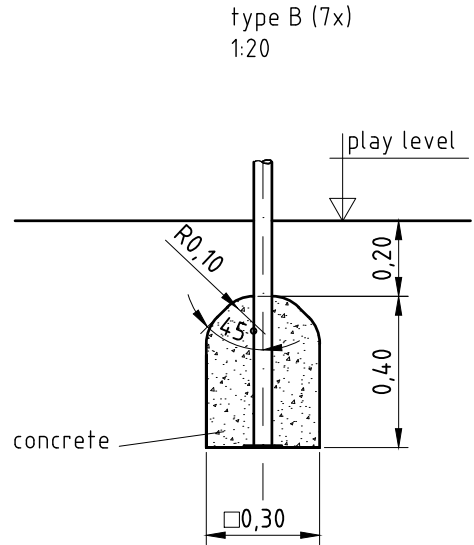
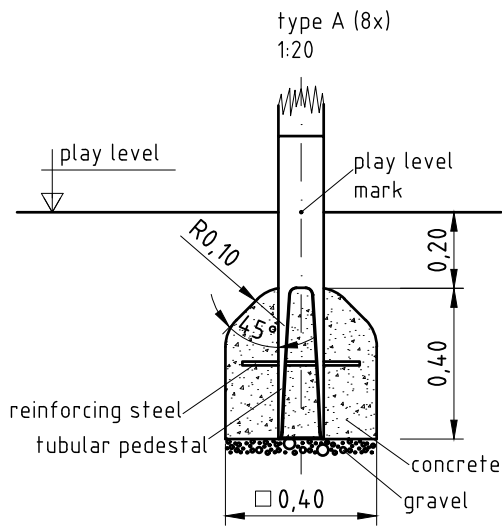


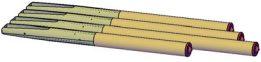





Foundations (on site)  
8x 0,40 x 0,40 x 0,40 m  
7x 0,30 x 0,30 x 0,40 m  
1x 0,40 x 0,75 x 0,40 m


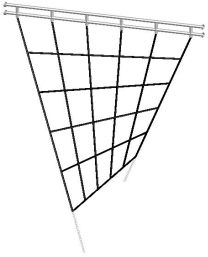




(approximate) concrete needs  
0,9 m<sup>3</sup>

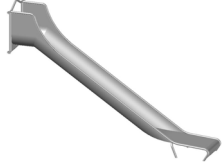
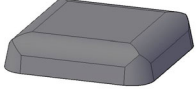
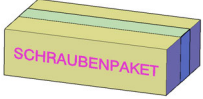
**Please note:**

Due to the format size, this installation is not to scale (apart from single details).  
Please refer to the dimensions indicated.  
An installation documentation scale 1:50 can be submitted on request.



| <u>Parts list</u> |          | 055485703  | GB  |
|-------------------|----------|--|---|
| item no.          | quantity | description  | image   |
|                   | 1        | set of 8 pcs. of laminated Robinia posts with stainless steel tubular pedestal with bottom cut-outs and protective stainless steel post cap / with red powder-coating/RAL 2002 |    |
| 1200000           | 1        | square platform 0,80 m x 0,80 m  |    |
| 1210358           | 3        | bowed guardrail 0,80 m   |   |
| 1230217           | 1        | corrugated climbing pole 2,75 m / horizontal arch  |  |
| 1230051           | 1        | vertical climbing pole 2,70 m / horizontal arch  |  |
| 1230406           | 1        | inclined corrugated climbing pole / 2,50 m / 15°   |  |

| <u>Parts list</u> |          | 055485703                                      | GB  |
|-------------------|----------|--|---|
| item no.          | quantity | description                                    | image   |
| 1210361           | 8        | stepped handrail 0,80 m x 0,15 m               |    |
| 1230090           | 1        | Black spatial climbing net 2,40m, height 2,50m |    |
| 1230093           | 1        | climp up ramp 0,80 m platform height 1,60 m    |   |
| 1230088           | 1        | arch-shaped ladder 0,80 platform height 1,40 m |  |
| 1210359           | 1        | stainless steel horizontal bar 0,80 m          |  |
| 1210360           | 1        | stainless steel horizontal bar 1,60 m          |  |

| <u>Parts list</u> |          | 055485703   | GB   |
|-------------------|----------|---|--|
| item no.          | quantity | description   | image  |
| 041417001         | 1        | K&K Trough-shaped attachment slide (1,60)                 |   |
| 015150            | 6        | pre-fabricated foundation<br>(6 for spatial climbing net) |   |
| 1298733           | 1        | fastening kit for 0-55485-702                             |  |



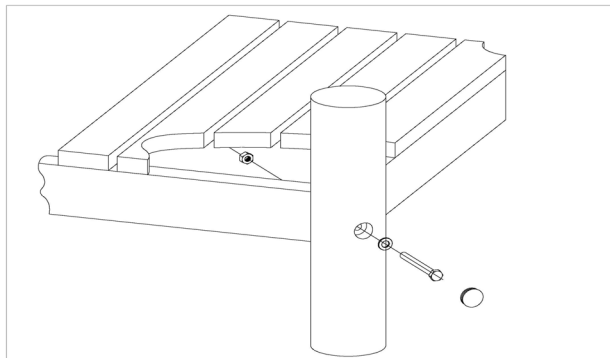
Item: **055485703**  
K&K Climbing combination

Order:

1298733

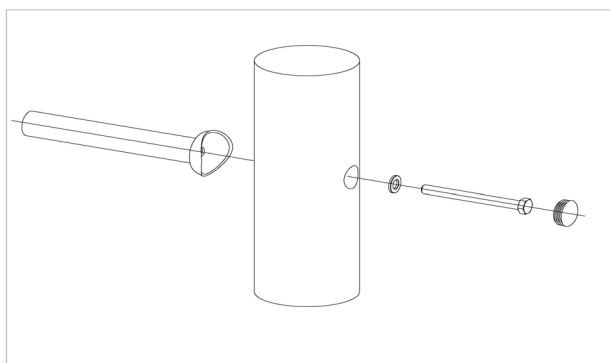
Location: Building Project:

**4 x SFRS1200001 Platform at Robinia post, nut is platform-sided**



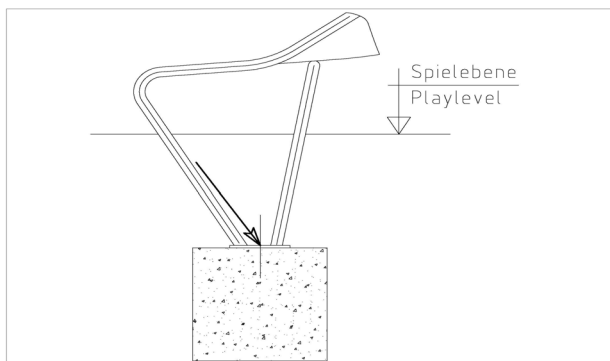
| per SC | Total | K&K-Item | Marking  |
|--------|-------|----------|--|
| 1 x    | 4 x   | 3400700  | Hexagon head screw M12 x 120 DIN931 A2 with screw security coating/FGB red |
| 1 x    | 4 x   | 3300016  | Grey domed plastic cover cap SL 36 G                                       |
| 1 x    | 4 x   | 3430129  | Washer Ø 14 DIN1440 A2   |
| 1 x    | 4 x   | 3430021  | Lock nut M12 DIN985 A2   |

**43 x SFRS1230004 Standard bolting of climbing poles, ramps etc. to Robinia posts with countersunk holes**



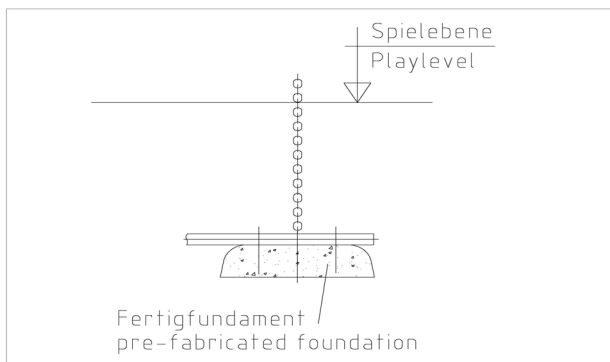
| per SC | Total | K&K-Item | Marking   |
|--------|-------|----------|---|
| 1 x    | 43 x  | 3300016  | Grey domed plastic cover cap SL 36 G  |
| 1 x    | 43 x  | 3430129  | Washer Ø 14 DIN1440 A2  |
| 1 x    | 43 x  | 3400701  | Hexagon head cap screw M12 x 130 DIN931 A2 with screw retention coating/FGB red |

**1 x SFAS1070006 Slide run-out section (up to 2,00 m) on foundation stone bolt assembly**



| per SC | Total | K&K-Item | Marking  |
|--------|-------|----------|--|
| 2 x    | 2 x   | 1070365  | Set of stone bolts for slide run-out section M12x160 |

**6 x SFAS1230007 Connection pipe between chain ladder/space net/ climbing net and prefabricated foundation (item N° 15150)**



| per SC | Total | K&K-Item | Marking                                   |
|--------|-------|----------|---|
| 2 x    | 12 x  | 3430025  | Washer Ø 13 DIN125 A2                     |
| 2 x    | 12 x  | 3400498  | Hexagon head cap screw M12 x 55 DIN931 A2 |

Item: **055485703**  
K&K Climbing combination

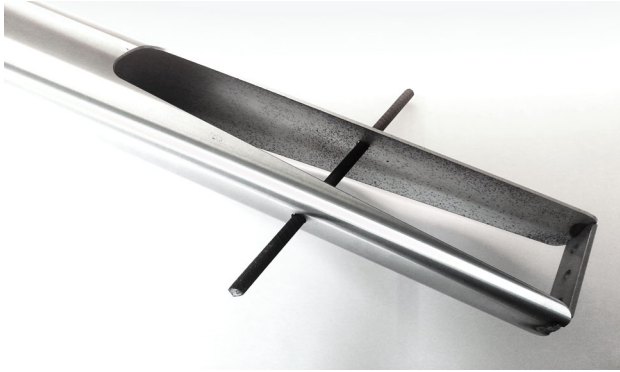
Order:

1298733

Location:

Building Project:

**8 x SFES1270007 Reinforcing steel for tubular pedestals**



| per SC | Total | K&K-Item | Marking                              |
|--------|-------|----------|--------------------------------------|
| 1 x    | 8 x   | 2130000  | Reinforcing steel Ø 10 x 310 DIN 488 |

**1 x SFWZ0000012 Lubricating metal (30g box) incl. brush**



| per SC | Total | K&K-Item | Marking                     |
|--------|-------|----------|-----------------------------|
| 1 x    | 1 x   | 5300039  | Lubricating metal box 30g   |
| 1 x    | 1 x   | 5200026  | Brush for lubricating metal |