

1. Assign a device location considering the space requirements (impact area). Slide direction recommended: north-east or in half-shade of trees.
2. Excavate soil for foundations, according to drawing.
Please note: To achieve maximum stability and a safe installation, a moderate level of soil solubility is required.
3. Pour in a drain layer of gravel of approx. 10 cm thickness between the bottom of the posts and plain base of foundation.
4. Insert reinforcing steel into the corresponding holes of the posts.
5. Place posts type A according to the corresponding number (see foundation layout) into the respective foundation hole. Play level mark (=aluminium blind rivet) complies with the installation depth. Align every post by means of the play level mark facing into the same direction (see detail or foundation layout).

6. For installation of the pre-assembled components and/or single parts, the screws slightly have to be lubricated with installation paste!

Screw together platforms and posts by using the respective hole in the mounting brackets (according to **"chart for platform fastenings"**).

Tighten all screws after having aligned all components.

Install the slide exit with an inclination of 5° in sliding direction so that rain water can drain off.

Screw connections see details in attached list.

We recommend not to insert the protection caps enclosed before first maintenance as they are only suitable for one-time use (see description below).

7. Grout foundations with compressed concrete C20/25, chamfer and round off the edges, cover the foundations with a surface which meets the requirements for impact attenuation so that its critical fall height is equal to or greater than the maximum free height of fall of the equipment (acc. to EN 1176-1). The run-out section fall zone must have surfacing with a critical fall height of at least 1000 mm (acc. to EN 1176-3).
8. Release for play after concrete foundations have set.
9. According to maintenance instructions, check all screw connections after 4-5 weeks and retighten, if necessary. Afterwards cover the screw heads with protection caps as follows: Insert grey protection caps into the countersunk drills (e.g. for platforms). The non-countersunk drills (e.g. for railings or a slide) have to be covered with the red protection caps by placing them onto the base part. Strongly pound them (e.g. by using a plastic mallet) until they audibly snap into the base part groove.

Please ensure that all special tools supplied (e.g. Allen key for secured Allen screws etc.) and all specific documents which are or may be useful for safety management acc. to EN 1176-7 (e.g. invoice, delivery note, order acknowledgement, installation instructions, maintenance instructions) are forwarded to the persons responsible.

Necessarily insert all attachment parts before tightening the screws. It is NOT possible to insert them afterwards.

platform orientation/numbers
1:100

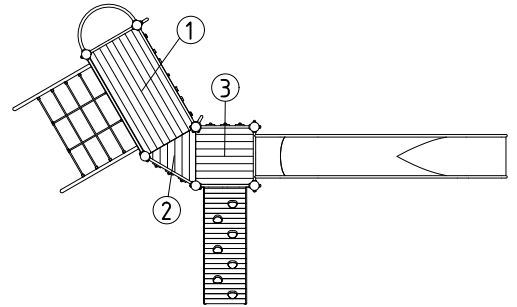
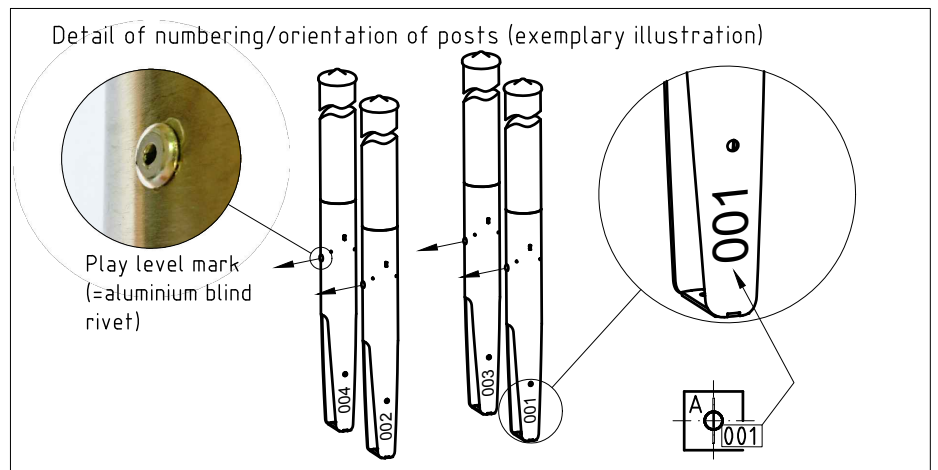
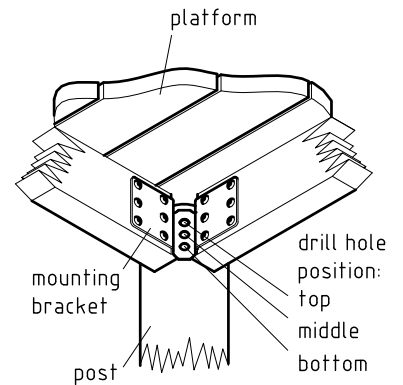


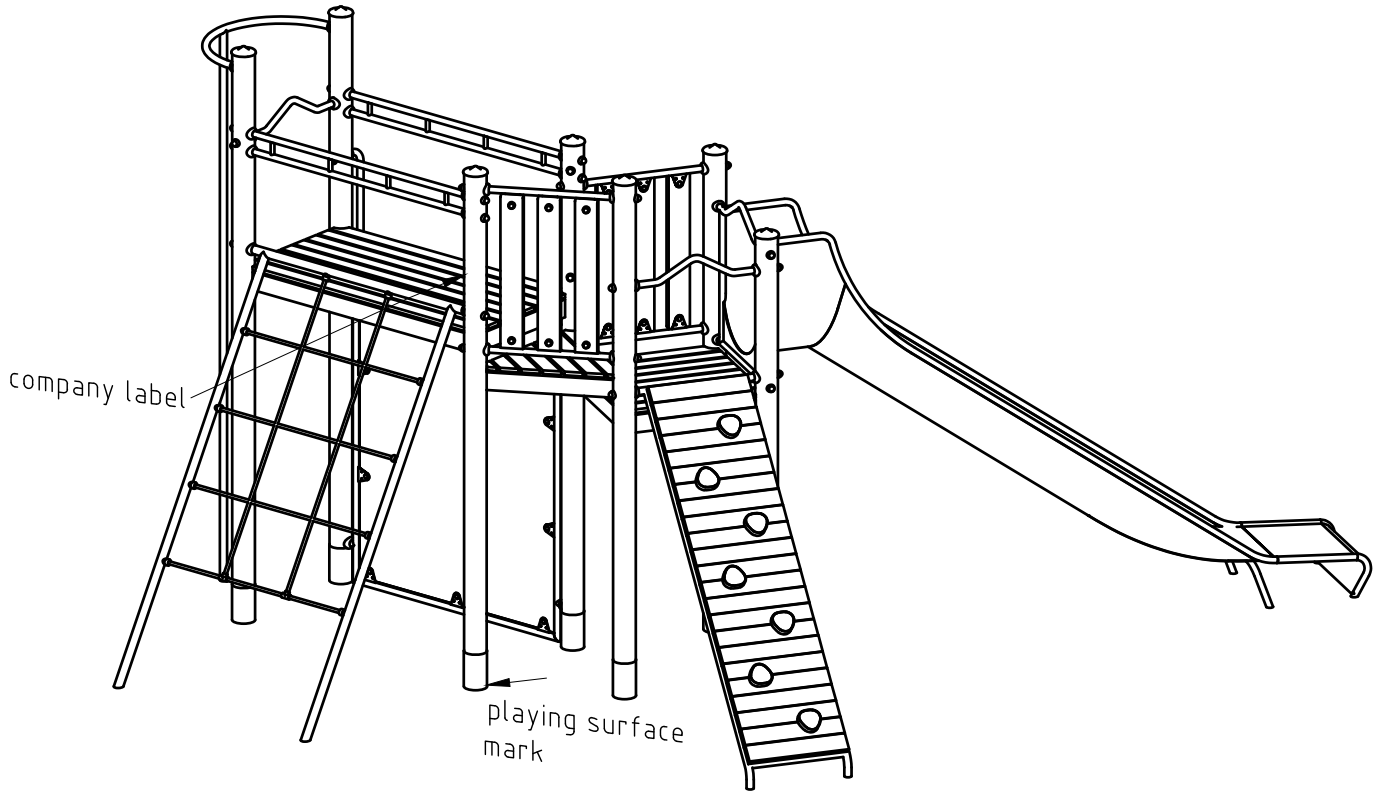
chart for platform fastenings

No.	height	drill hole position in mounting bracket		
		top	middle	bottom
①	2,00	x		
②	1,80	x		
③	1,60		x	

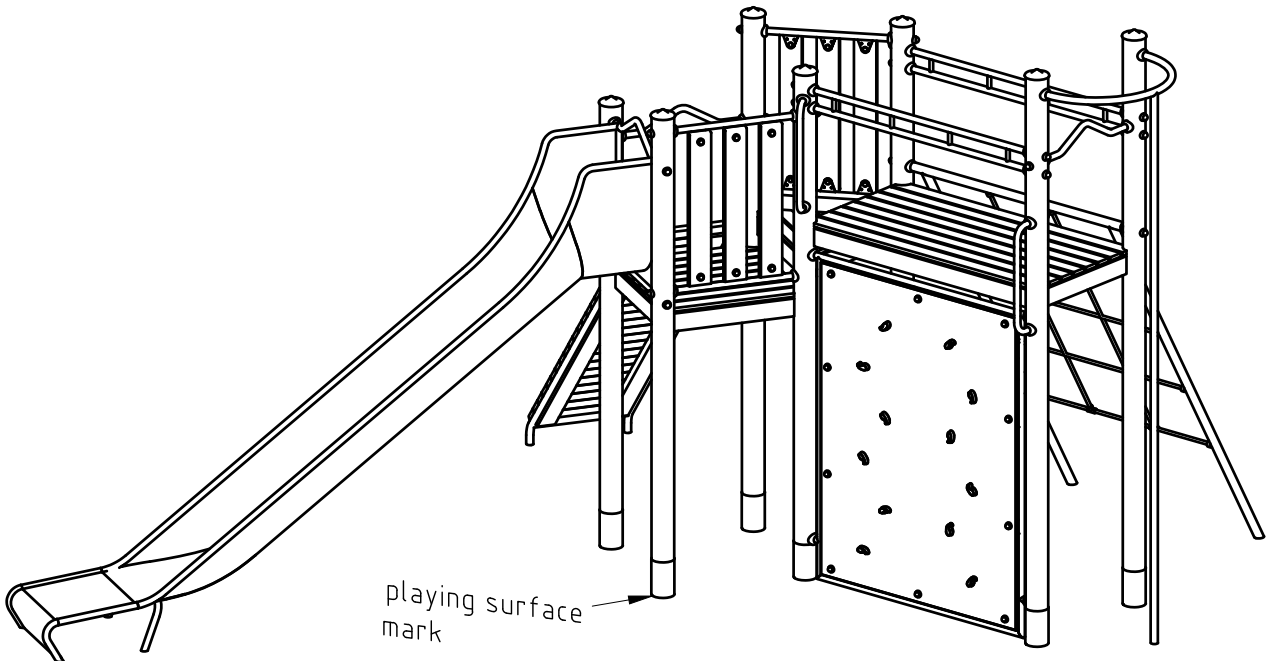
platform fastening
1:10



Spatial view

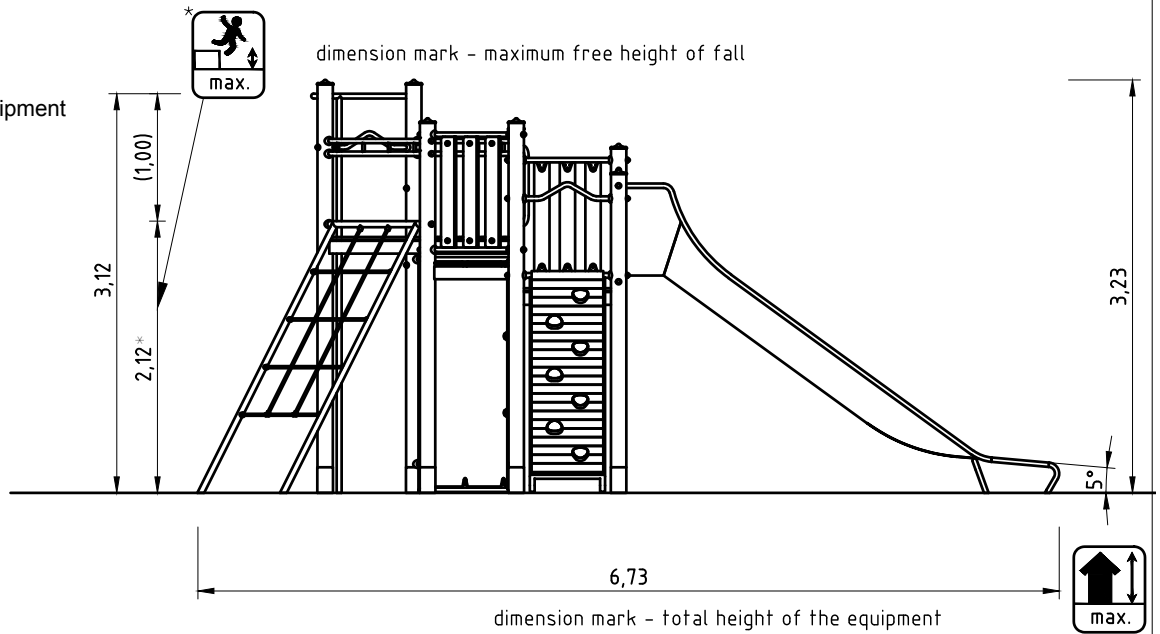


Spatial view



Front view

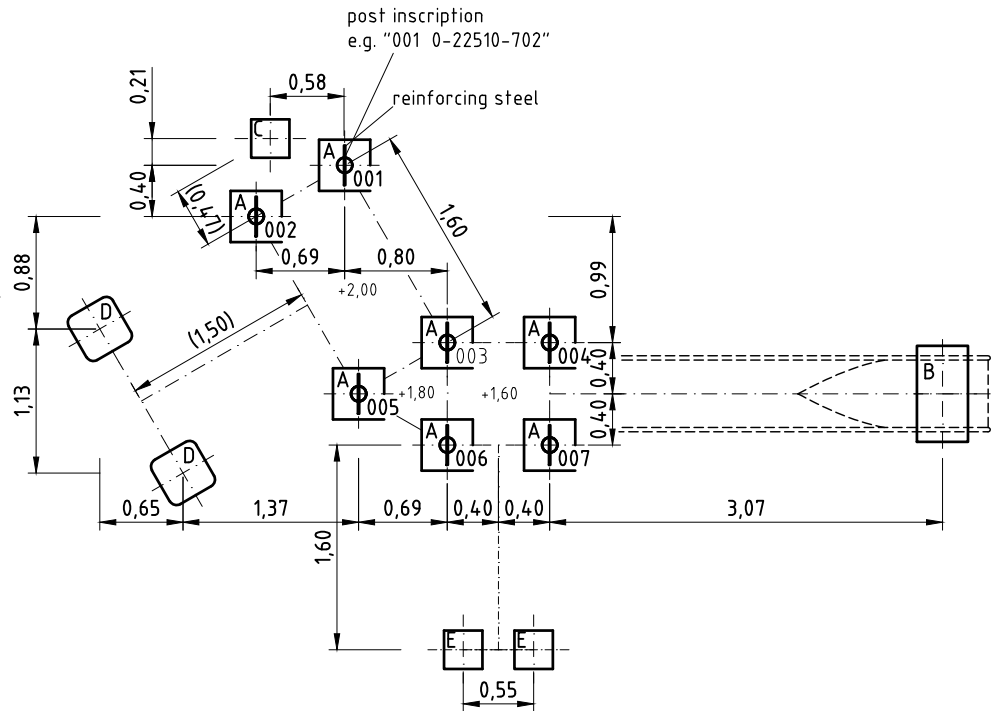
Space occupied by equipment
6,73 x 4,09 x 3,23 m



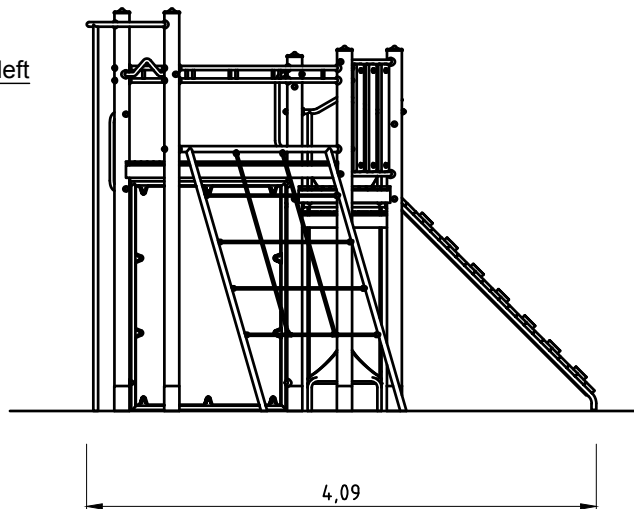
Foundation layout

Foundations (on site)
7 x 0,40 x 0,40 x 0,40 m
3 x 0,30 x 0,30 x 0,40 m
1 x 0,40 x 0,75 x 0,40 m

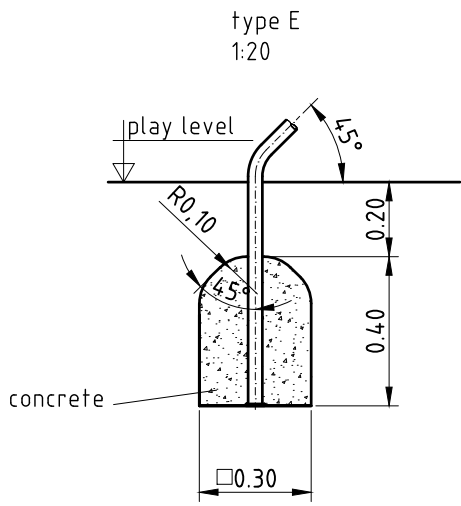
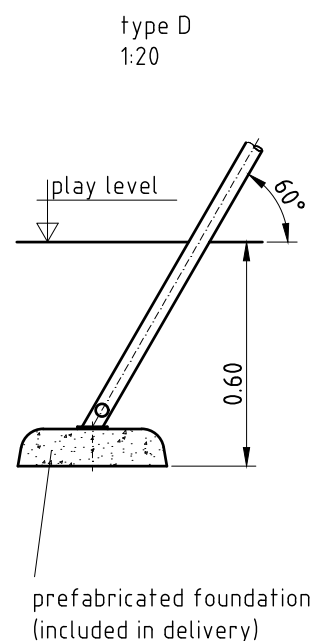
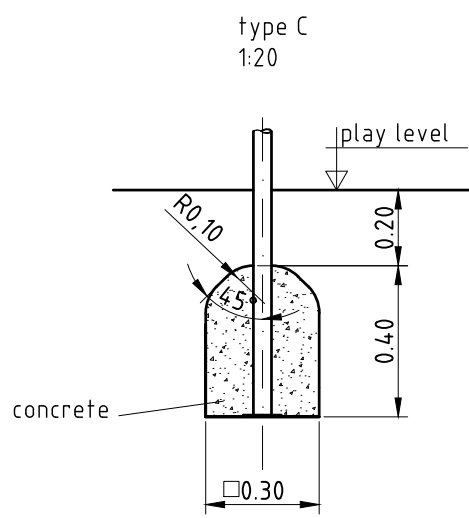
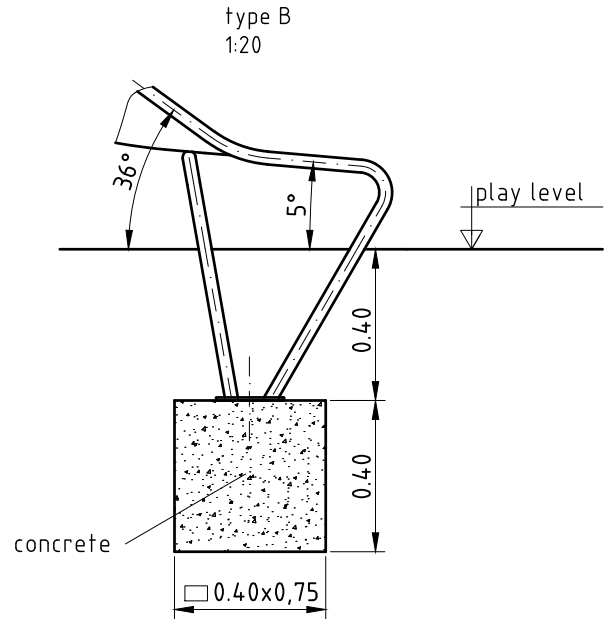
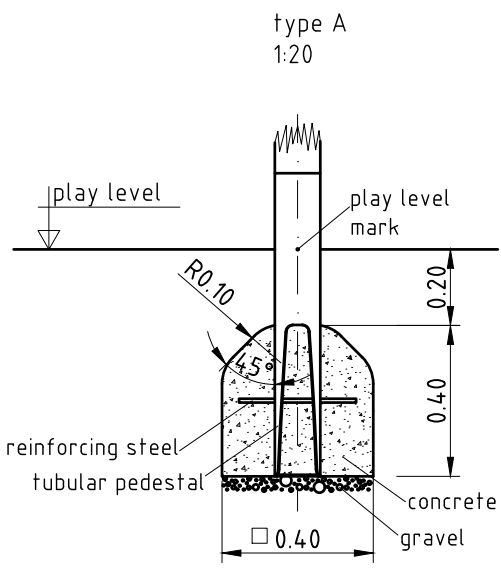
(approximate) concrete needs
0,7 m³



Side view from the left

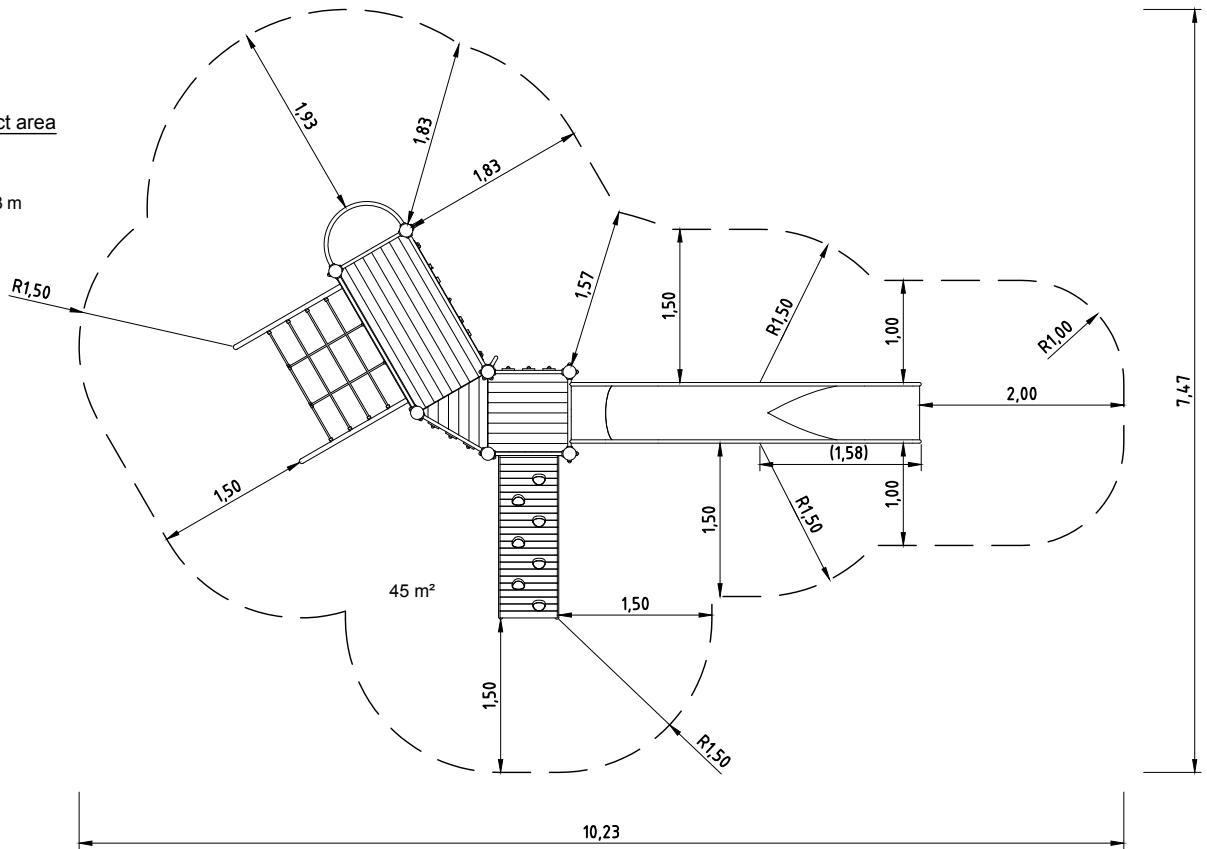


Foundation details



Top view & impact area

Minimum space
10,23 x 7,47 x 3,23 m

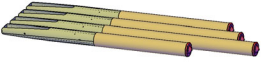








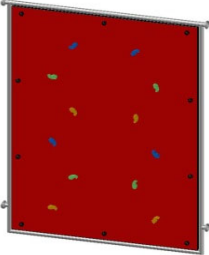


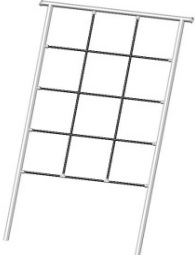

Please note:

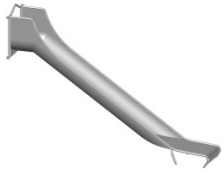
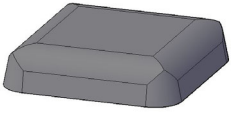
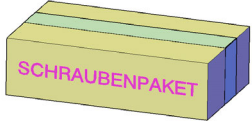
Due to the format size, this installation is not to scale (apart from single details).

Please refer to the dimensions indicated.

An installation documentation scale 1:50 can be submitted on request.

<u>Parts list</u>		022510702	GB
item no.	quantity	description	image
	1	set of 7 pcs. of laminated Robinia posts with tubular pedestal with bottom cut-outs, short length=600 mm with protective stainless steel cap/ red powder coating/RAL 2002	
1200015	1	rectangular platform 1,60 m x 0,80 m	
1200000	1	square platform 0,80 m x 0,80 m	
1200004	1	triangular platform 3 x 0,80 m	
1210358	2	bowed guardrail 0,80 m	
1210023	2	tandem guardrail 1,60 m	

<u>Parts list</u>		022510702	GB
item no.	quantity	description	image
1210199	2	timber infill barrier 0,80 m x 0,90 m	 A wooden infill barrier consisting of three vertical wooden slats held between two horizontal metal bars.
1230196	1	climbing wall (1,60) red HPL panel	 A red high-pressure laminate (HPL) panel with several small, colorful climbing holds attached to its surface.
1230093	1	climp up ramp 0,80 m platform height 1,60 m	 A wooden ramp with a series of circular holes along its length, designed for climbing.
1230107	1	climbing pole 3,10 m horizontal arch	 A vertical metal pole with a horizontal arch at the top, used for climbing.
1230121	1	sloped scramble up net 1,60m platform height 2,00m	 A metal frame structure with a grid of horizontal and vertical bars, forming a net-like structure for scrambling.
1210047	2	vertical stainless steel handle 0,60 m	 A vertical stainless steel handle with a curved grip at the top and bottom.

<u>Parts list</u>		022510702	GB
item no.	quantity	description	image
041417001	1	K&K Trough-shaped attachment slide (1,60)	
015150	2	prefabricated concrete foundation (for sloped scramble up net)	
1293815	1	fastening kit for 022510702	

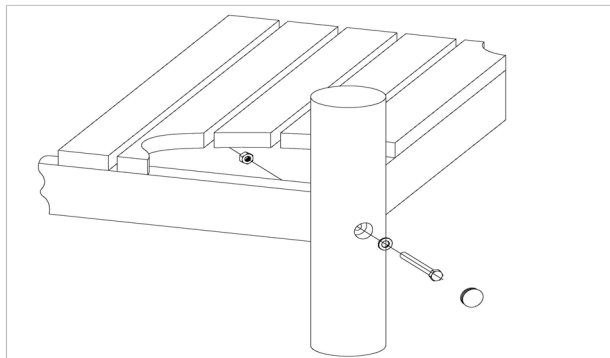
Item: **022510702**
K&K Climbing combination

Order:

1293815

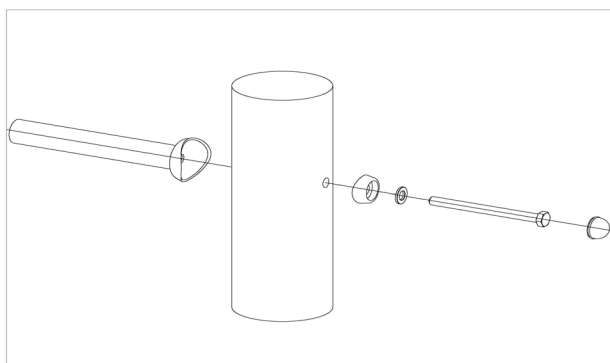
Location: Building Project:

11 x SFRS1200001 Platform at Robinia post, nut is platform-sided



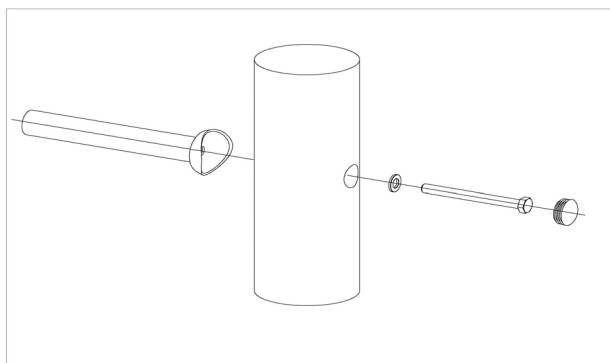
per SC	Total	K&K-Item	Marking
1 x	11 x	3400700	Hexagon head screw M12 x 120 DIN931 A2 with screw security coating/FGB red
1 x	11 x	3300016	Grey domed plastic cover cap SL 36 G
1 x	11 x	3430129	Washer Ø 14 DIN1440 A2
1 x	11 x	3430021	Lock nut M12 DIN985 A2

32 x SFRS1210001 Standard bolting of barriers, handrails, slides to Robinia posts



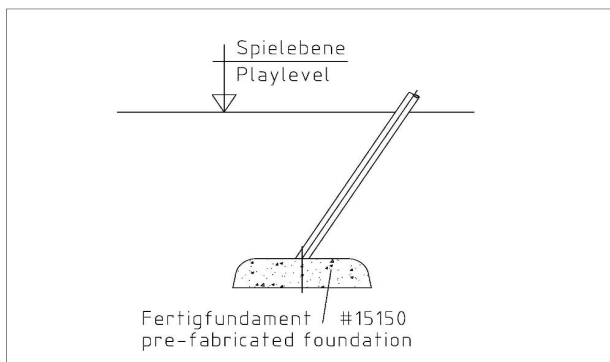
per SC	Total	K&K-Item	Marking
1 x	32 x	3300054	red protective screw cap - lower part, domed M12
1 x	32 x	3300055	red protective screw cap - upper part, domed M12
1 x	32 x	3430025	Washer Ø 13 DIN125 A2
1 x	32 x	3400702	Hexagon head cap screw M12 x 160 DIN931 A2 with screw security coating FGB red

6 x SFRS1230004 Standard bolting of climbing poles, ramps etc. to Robinia posts with countersunk holes



per SC	Total	K&K-Item	Marking
1 x	6 x	3300016	Grey domed plastic cover cap SL 36 G
1 x	6 x	3430129	Washer Ø 14 DIN1440 A2
1 x	6 x	3400701	Hexagon head cap screw M12 x 130 DIN931 A2 with screw retention coating/FGB red

1 x SFAS1230009 Scramble up net / climbing net fastening to prefabricated foundation



per SC	Total	K&K-Item	Marking
4 x	4 x	3430025	Washer Ø 13 DIN125 A2
4 x	4 x	3400018	Hexagon screw M12 x 25 DIN933 A2

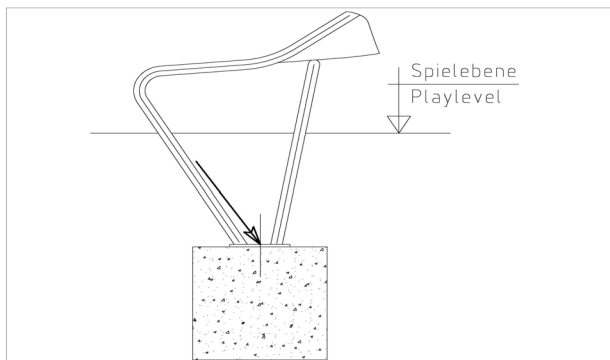
Item: **022510702**
K&K Climbing combination

Order:

1293815

Location: Building Project:

1 x SFAS1070006 Slide run-out section (up to 2,00 m) on foundation stone bolt assembly



per SC	Total	K&K-Item	Marking
2 x	2 x	1070365	Set of stone bolts for slide run-out section M12x160

7 x SFES1270007 Reinforcing steel for tubular pedestals



per SC	Total	K&K-Item	Marking
1 x	7 x	2130000	Reinforcing steel Ø 10 x 310 DIN 488

1 x SFWZ0000012 Lubricating metal (30g box) incl. brush



per SC	Total	K&K-Item	Marking
1 x	1 x	5300039	Lubricating metal box 30g
1 x	1 x	5200026	Brush for lubricating metal