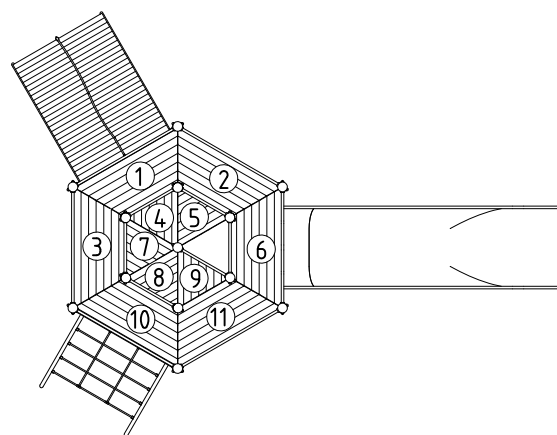


platform orientation
1:100



1. Assign a device location considering the space requirement (impact area). Slide direction recommended: north-east or in half-shade of trees.
2. Excavate soil for foundations, according to drawing. Please note: To achieve maximum stability and a safe installation, a moderate level of soil solubility is required.
3. Pour in a drain layer of gravel of approx. 10 cm thickness between the bottom of the tubular pedestals and plain base of foundation.
4. Place posts type A (see foundation layout) according to the corresponding number into the respective foundation hole. Play level mark (=aluminium blind rivet) complies with the installation depth. Align every post by means of the play level mark facing into the same direction (see detail or foundation layout).

5. For installation of the pre-assembled components and/or single parts, the screws slightly have to be lubricated with installation paste!

Screw together platforms and posts by using the respective hole in the mounting brackets (according to chart).

Tighten all screws after having aligned all components.

Install the slide exit with an inclination of 5° in sliding direction.

Screw connections see details in list of screw cases attached.

We recommend not to insert the protection caps enclosed before first maintenance as they are only suitable for one-time use (see description in item No. 9).

6. Grout foundations with compressed concrete C20/25, chamfer and round off the edges, cover the foundations with a surface which meets the requirements for impact attenuation so that the critical fall height of the surfacing is equal to, or greater than, the free height of fall of the equipment (acc. to DIN EN 1176-1).
7. Release for play after concrete foundations have set.
9. According to maintenance instructions, check all screw connections after 4-5 weeks and retighten, if necessary. Afterwards cover the screw heads with protection caps as follows: Insert grey protection caps into the countersunk drills (e.g. for platforms). The non-countersunk drills (e.g. for railings or a slide) have to be covered with the red protection caps by placing them onto the base part. Strongly pound them (e.g. by using a plastic mallet) until they audibly snap into the base part groove.

Please ensure that all special tools supplied (e.g. Allen key for secured Allen screws etc.) and all specific documents which are or may be useful for safety management acc. to DIN EN 1176-7 (e.g. invoice, delivery note, order acknowledgement, installation instructions, maintenance instructions) are forwarded to the persons responsible.

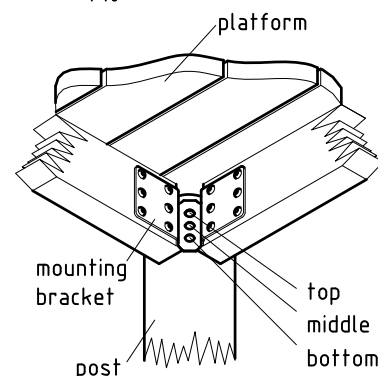
Necessarily insert all attachment parts (infills, handrails etc.) before tightening the screws.

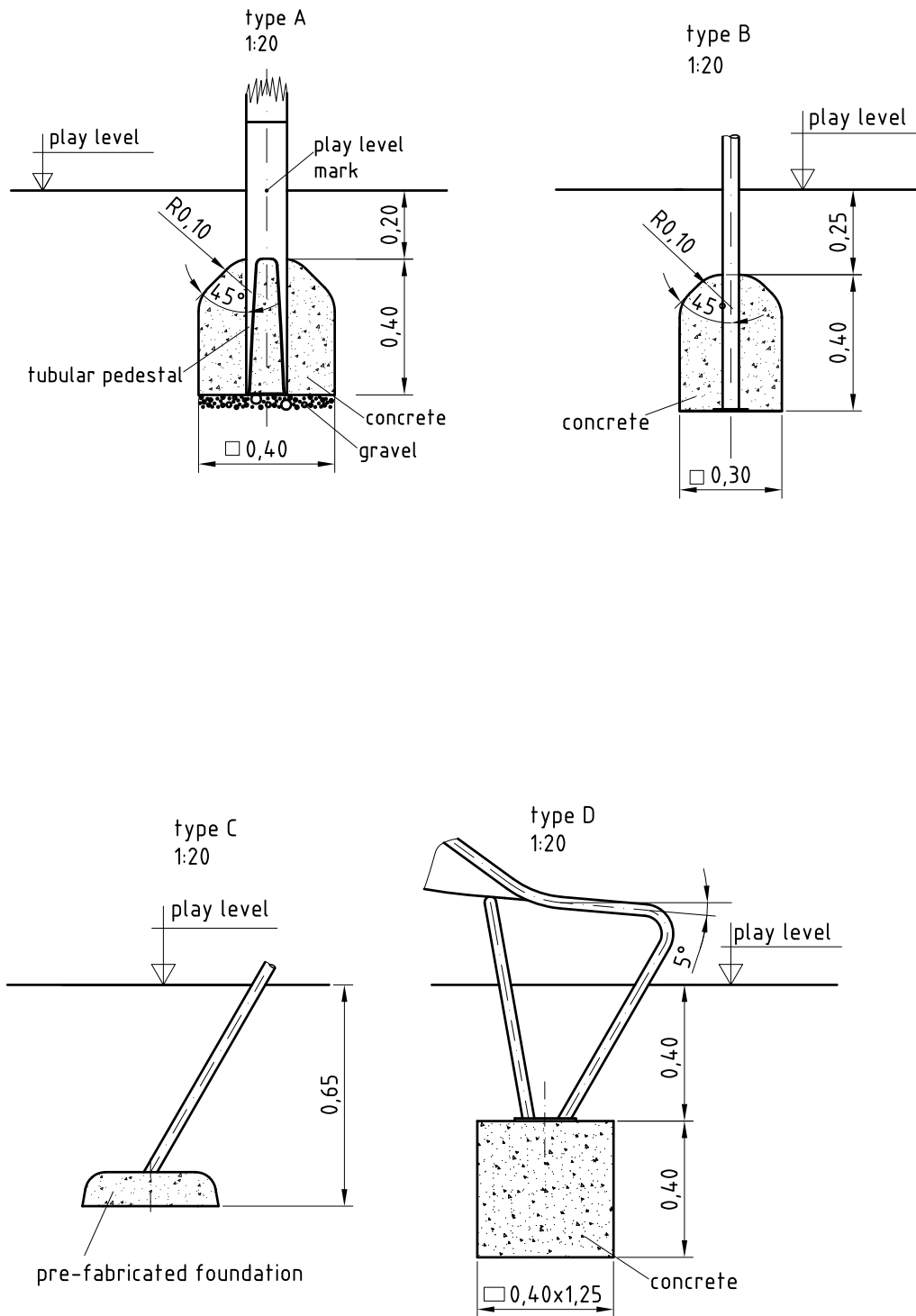
It is NOT possible to insert them afterwards.

chart platform fastening

| platform-nr. | fastening hole | | |
|--------------|----------------|--------|-------|
| | above | middle | below |
| 1 | x | | |
| 2 | | | x |
| 3 | | | x |
| 4 | | x | |
| 5 | | x | |
| 6 | x | | |
| 7 | | x | |
| 8 | | x | |
| 9 | | x | |
| 10 | x | | |
| 11 | | | x |

platform fastening
1:10



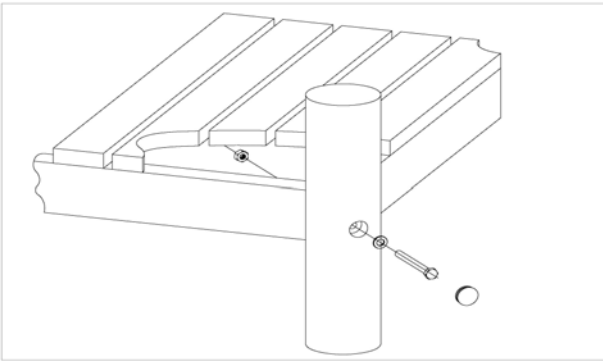


Item: 0-22340-702
 K&K Climbing combination

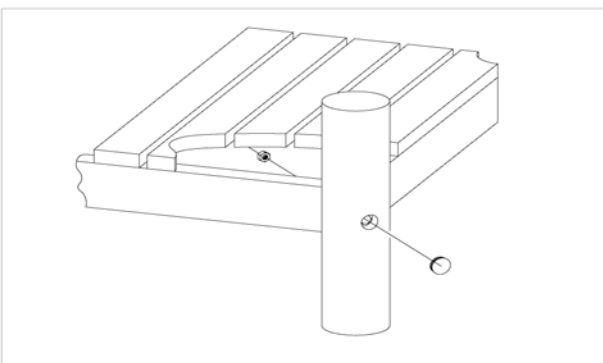
Order:

1298777

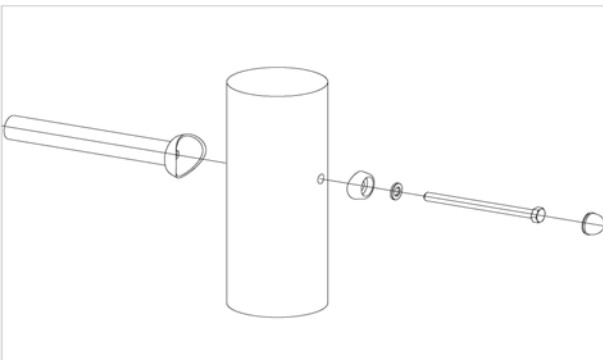
Location: Building Project:

27 x SFRS1200001 Platform at robinia posts, nut on platform side


| per SC | Total | K&K-Item | Marking |
|--------|-------|----------|--|
| 1 x | 27 x | 3400700 | Hexagon head screw M12 x 120 DIN931 A2 with screw security coating/FGB red |
| 1 x | 27 x | 3300016 | Cover cap (grey) for drill holes Ø 30-34 mm, domed made of polyethylene/ SL36G |
| 1 x | 27 x | 3430129 | Washer Ø 14 DIN1440 A2 |
| 1 x | 27 x | 3430021 | Lock nut M12 DIN985 A2 |

12 x SFRS1200004 Platform at robinia post screw fixed by factory


| per SC | Total | K&K-Item | Marking |
|--------|-------|----------|--|
| 1 x | 12 x | 3300016 | Cover cap (grey) for drill holes Ø 30-34 mm, domed made of polyethylene/ SL36G |
| 1 x | 12 x | 3430021 | Lock nut M12 DIN985 A2 |

60 x SFRS1210001 Standard bolting for parapet, handrail, slide etc. at robinia posts


| per SC | Total | K&K-Item | Marking |
|--------|-------|----------|--|
| 1 x | 60 x | 3300055 | Screw cap - upper part M12 P2 colour red/RAL 2002 PA6 |
| 1 x | 60 x | 3300054 | Screw cap - lower part, domed M12 colour red/RAL 2002 PA6 |
| 1 x | 60 x | 3430025 | Washer Ø 13 DIN125 A2 |
| 1 x | 60 x | 3400702 | Hexagon head cap screw M12 x 160 DIN931 A2 with screw security coating FGB red |

1 x SFAS1240014 Tent roof 6 x 0.8 m with wind mobile HPL plates at stay tubes and wind mobile onto HPL-plates


| per SC | Total | K&K-Item | Marking |
|--------|-------|----------|---|
| 36 x | 36 x | 3430011 | Hexagon cap nut M10 DIN986 A2 |
| 36 x | 36 x | 3430014 | Washer Ø 10,5 DIN 125 B A2 |
| 6 x | 6 x | 3430102 | Washer Ø 8.4 DIN9021 A2 |
| 6 x | 6 x | 3400673 | Dome head security bolt M8 x 20 Resistorx A2 |
| 36 x | 36 x | 3400138 | Mushroom head screw square neck M10x30 DIN 60 |

Item: **0-22340-702**

Order:

1298777

K&K Climbing combination

Location:

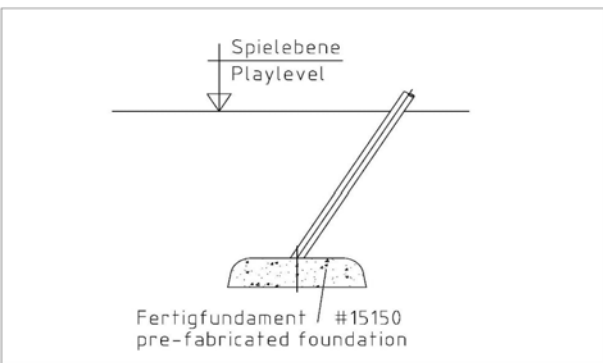
Building Project:

1 x SFWZ000001 Security TORX wrench TR40

| per SC | Total | K&K-Item | Marking |
|--------|-------|----------|---------------------------|
| 1 x | 1 x | 3490081 | Security TORX wrench TR40 |

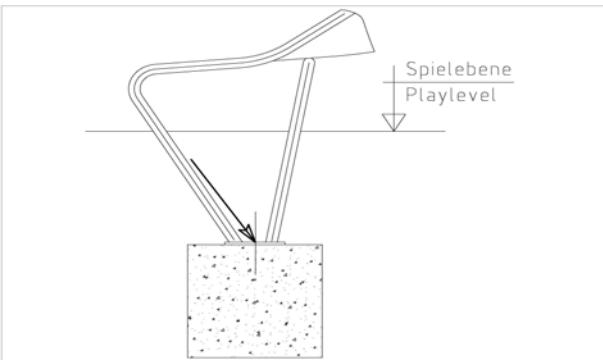


1 x SFAS1230009 Scramble-, ascending net etc. at prefab foundation (item n° 15150)



| per SC | Total | K&K-Item | Marking |
|--------|-------|----------|----------------------------------|
| 4 x | 4 x | 3430025 | Washer Ø 13 DIN125 A2 |
| 4 x | 4 x | 3400018 | Hexagon screw M12 x 25 DIN933 A2 |

1 x SFAS1070006 Slide run-out section (up to 2,00 m) on foundation stone bolt assembly



| per SC | Total | K&K-Item | Marking |
|--------|-------|----------|--|
| 2 x | 2 x | 1070365 | Set of stone bolts for slide run-out section M12x160 |

2 x SFWZ0000012 Lubricating metal (30g box) incl. brush

| per SC | Total | K&K-Item | Marking |
|--------|-------|----------|-----------------------------|
| 1 x | 2 x | 5300039 | Lubricating metal box à 30g |
| 1 x | 2 x | 5200026 | Brush for lubricating metal |

