

1. Assign a device location considering the space requirements (impact area). Slide direction recommended: north-east or in half-shade of trees.
2. Excavate soil for foundations, according to drawing.
Please note: To achieve maximum stability and a safe installation, a moderate level of soil solubility is required.
3. Pour in a drain layer of gravel of approx. 10 cm thickness between the bottom of the posts and plain base of foundation.
4. Insert reinforcing steel into the corresponding holes of the posts.
5. Place posts type A and B (see foundation layout) into the respective foundation hole, according to the corresponding number. Play level mark (=aluminium blind rivet) complies with the installation depth. Align both posts type B by means of the play level mark facing into the same direction (see detail or foundation layout).

6. For installation of the pre-assembled components and/or single parts, the screws slightly have to be lubricated with installation paste!

Screw together platform and posts by using the middle hole in the mounting brackets.

Tighten all screws after having aligned all components.

Install the slide exit with an inclination of 5° in sliding direction.

Screw connections see details in attached list.

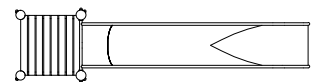
We recommend not to insert the protection caps enclosed before first maintenance as they are only suitable for one-time use (see description in item No. 9).

7. Grout foundations with compressed concrete C20/25, chamfer and round off the edges, cover the foundations with a surface which meets the requirements for impact attenuation so that its critical fall height is equal to or greater than the maximum free height of fall of the equipment (acc. to EN 1176-1). The run-out section fall zone must have surfacing with a critical fall height of at least 1000 mm (acc. to EN 1176-3).
8. Release for play after concrete foundations have set.
9. According to maintenance instructions, check all screw connections after 4-5 weeks and retighten, if necessary. Afterwards cover the screw heads with the top part of the protection caps. Strongly pound them (e.g. by using a plastic mallet) until they audibly snap into the base part groove.

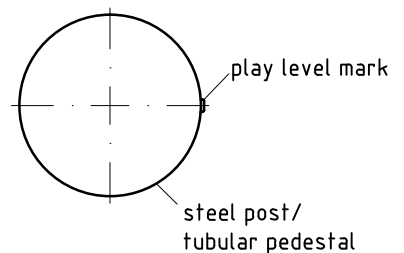
Please ensure that all special tools supplied (e.g. Allen key for secured Allen screws etc.) and all specific documents which are or may be useful for safety management acc. to EN 1176-7 (e.g. invoice, delivery note, order acknowledgement, installation instructions, maintenance instructions) are forwarded to the persons responsible.

Necessarily insert all attachment parts before tightening the screws. It is NOT possible to insert them afterwards.

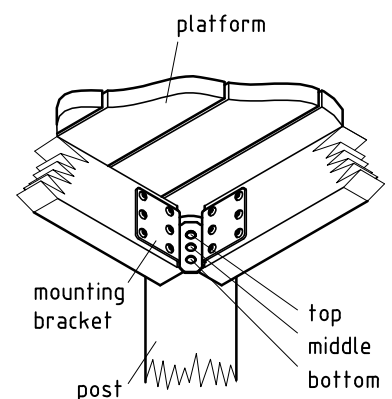
platform orientation
1:100



detail of play level mark
1:5



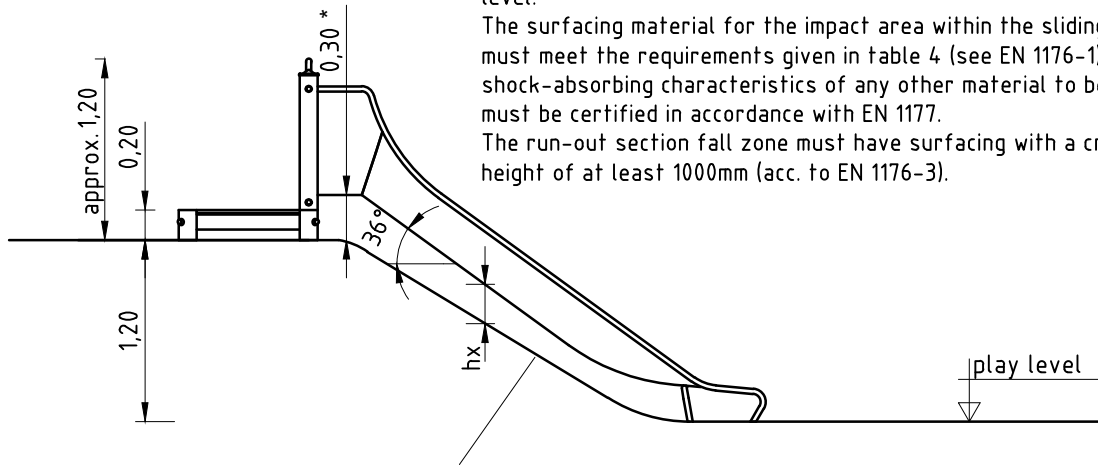
platform fastening
1:10



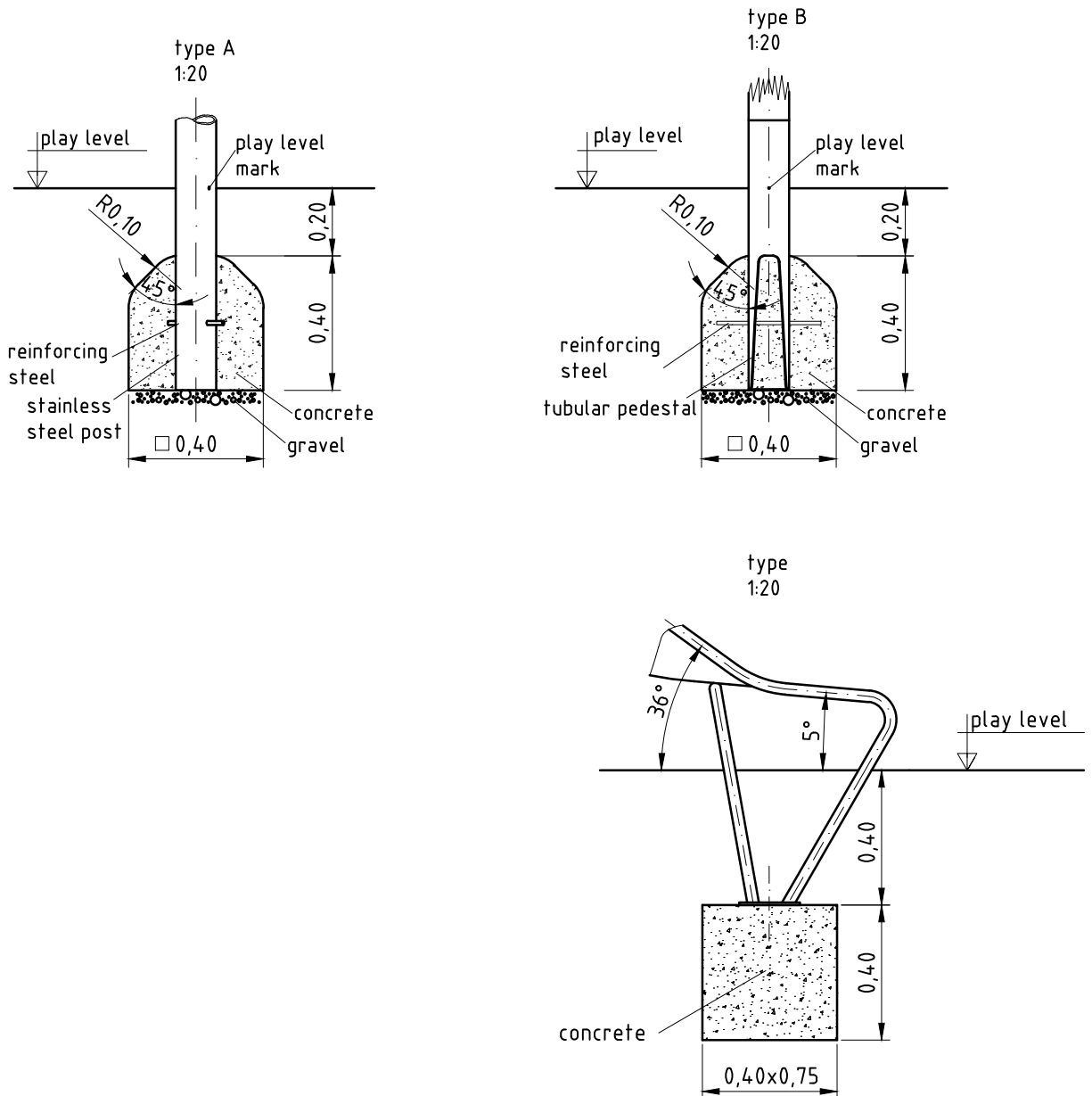
* max. free height of fall at slide entrance. Depending on the site profile, the free fall height (hx) and the size of the impact area result from the vertical distance between the bottom of the chute and ground level.

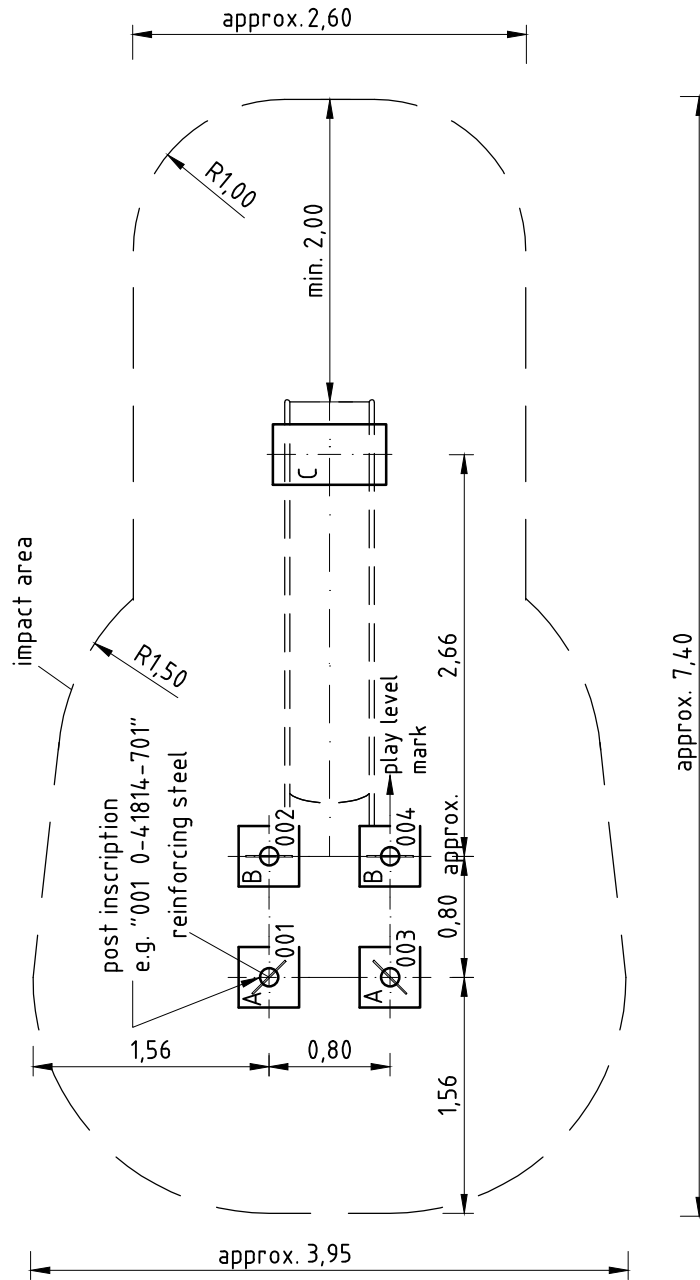
The surfacing material for the impact area within the sliding section must meet the requirements given in table 4 (see EN 1176-1). The shock-absorbing characteristics of any other material to be chosen must be certified in accordance with EN 1177.

The run-out section fall zone must have surfacing with a critical fall height of at least 1000mm (acc. to EN 1176-3).



Exemplary course of the hill, please consider planning specifications on site





Installation

Item-No.
0-41814-701

Description
K&K Hill slide (1,40)
with platform (0,20)

Scale
1:50

Date
05/16 EB

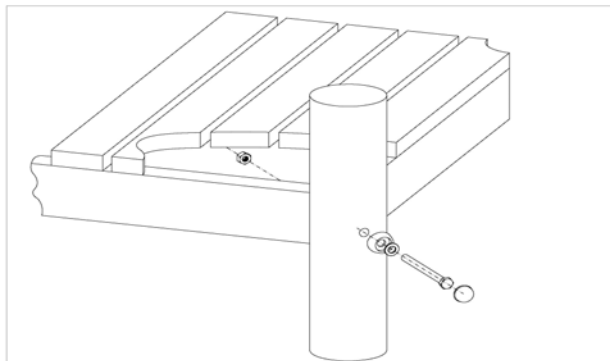
Page
3/3

Item: **041814701**
 K&K Hill slide (1,40) with starting platform 0,20m
 Location: Building Project:

Order:

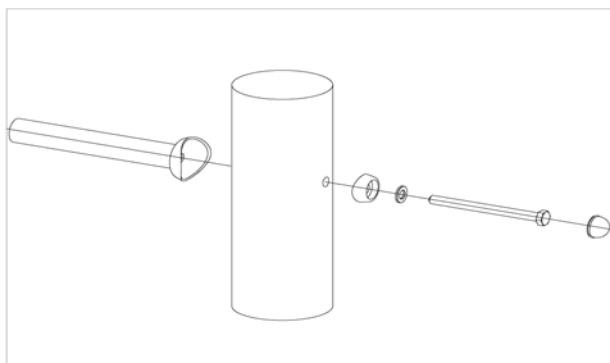
1291352

4 x SFES1200014 Platform at stainless steel post/tube-pedestal (Hexagon screw with red cap/nut platform-site)



| per SC | Total | K&K-Item | Marking |
|--------|-------|----------|-----------------------------------------------------------|
| 1 x | 4 x | 3430025 | Washer Ø 13 DIN125 A2 |
| 1 x | 4 x | 3300055 | Screw cap - upper part M12 P2 colour red/RAL 2002 PA6 |
| 1 x | 4 x | 3300054 | Screw cap - lower part, domed M12 colour red/RAL 2002 PA6 |
| 1 x | 4 x | 3430021 | Lock nut M12 DIN985 A2 |
| 1 x | 4 x | 3400363 | Hexagon head cap screw M12 x 150 DIN931 A2 |

4 x SFRS1210001 Standard bolting for parapet, handrail, slide etc. at robinia posts



| per SC | Total | K&K-Item | Marking |
|--------|-------|----------|--------------------------------------------------------------------------------|
| 1 x | 4 x | 3300055 | Screw cap - upper part M12 P2 colour red/RAL 2002 PA6 |
| 1 x | 4 x | 3300054 | Screw cap - lower part, domed M12 colour red/RAL 2002 PA6 |
| 1 x | 4 x | 3430025 | Washer Ø 13 DIN125 A2 |
| 1 x | 4 x | 3400702 | Hexagon head cap screw M12 x 160 DIN931 A2 with screw security coating FGB red |

2 x SFRS1270002 Reinforcing steel for stainless steel posts



| per SC | Total | K&K-Item | Marking |
|--------|-------|----------|--------------------------------------|
| 1 x | 2 x | 2130000 | Reinforcing steel Ø 10 x 310 DIN 488 |

2 x SFES1270007 Reinforcing steel for tubular pedestals



| per SC | Total | K&K-Item | Marking |
|--------|-------|----------|--------------------------------------|
| 1 x | 2 x | 2130000 | Reinforcing steel Ø 10 x 310 DIN 488 |

Item: **041814701**

Order:

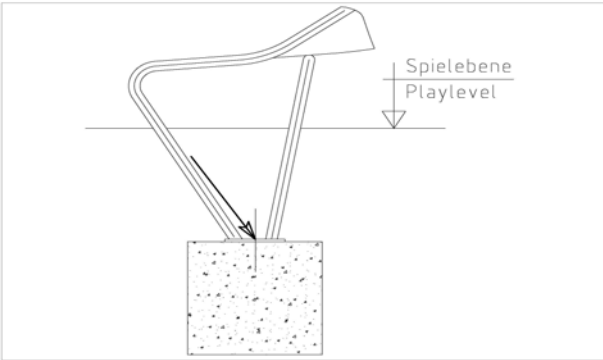
1291352

K&K Hill slide (1,40) with starting platform 0,20m

Location:

Building Project:

1 x SFAS1070006 Slide run-out section (up to 2,00 m) on foundation stone bolt assembly



| per SC | Total | K&K-Item | Marking |
|--------|-------|----------|------------------------------------------------------|
| 2 x | 2 x | 1070365 | Set of stone bolts for slide run-out section M12x160 |

1 x SFWZ0000014 Lubricating metal, bag (4g)



| per SC | Total | K&K-Item | Marking |
|--------|-------|----------|----------------------------------|
| 1 x | 1 x | 5300024 | Metaflux fitting lubricant 2x4 g |