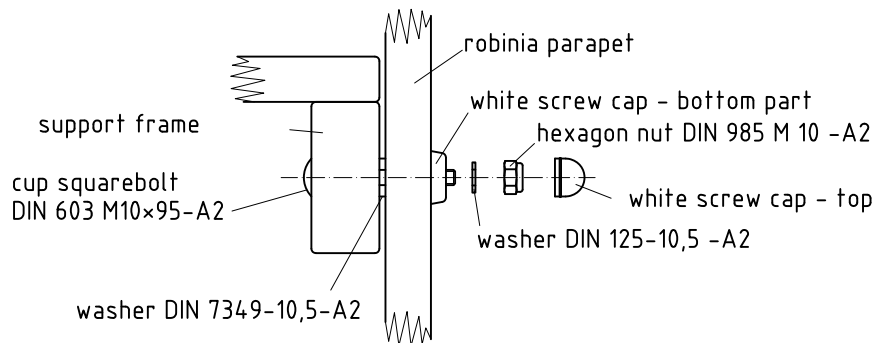
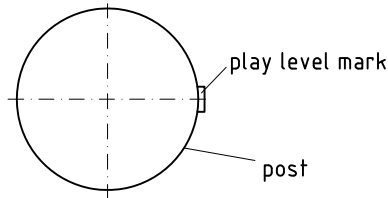


⊗ **fastening of wooden parapet (1,60 m high between post 008 and 011) to platform support frame scale 1:5**

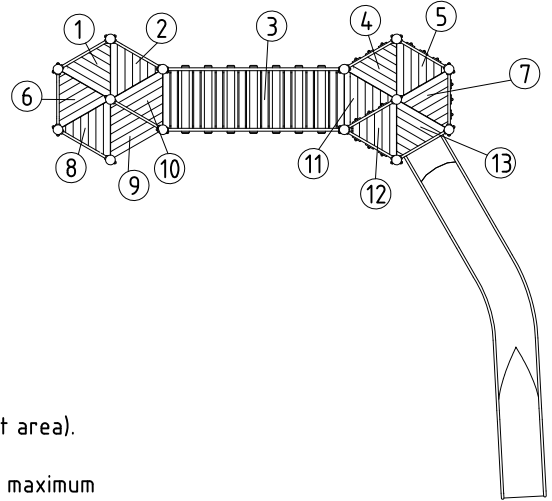
Drill both parapet slats and support frame in the middle and screw together as shown:



detail of play level mark  
scale 1:5



platform direction/ -no.  
scale 1:100



1. Assign location of equipment considering the space requirement (impact area). Recommended direction of slide: north-east or in half-shade of trees.
  2. Excavate soil for foundations, acc. to drawing. Please note: To achieve maximum stability and a safe installation, a moderate level of soil solubility is required.
  3. Pour in a drain layer of gravel of approx. 10 cm thickness between the bottom of the steel posts and plain base of foundation.
  4. Insert reinforcing steel into the corresponding holes of the steel posts.
  5. Place posts type A (see foundation layout) according to the corresponding number (e.g. 1271294-001) into the respective foundation hole. Play level mark (=aluminium blind rivet) complies with the installation depth. Align every post by means of the play level mark facing into the same direction (see detail or foundation layout).
  6. **Attention! For installation of the pre-assembled components and/or single parts; the screws slightly have to be lubricated with installation paste!** Screw together platforms and posts by using the respective hole in the mounting bracket (according to chart).
- Tighten all screws after having aligned all components.**  
The exit of slide chute has to be installed with an inclination of 5° in sliding direction.  
Screw connections see details in attached list of screw cases.
7. Grout foundations with compressed concrete C20/25, chamfer and round off the edges, cover the foundations with a surface which meets the requirements for impact attenuation so that the critical fall height of the surfacing shall be equal to, or greater than, the free height of fall of the equipment (acc. to EN 1176-1).
  8. Release for play after concrete foundations have set.
  9. Check all screw connections acc. to maintenance instructions after 4-5 weeks and retighten, if necessary.

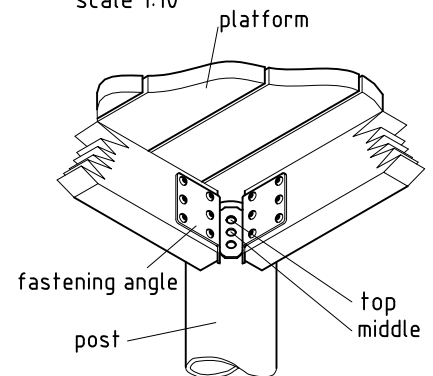
chart for platform fastenings

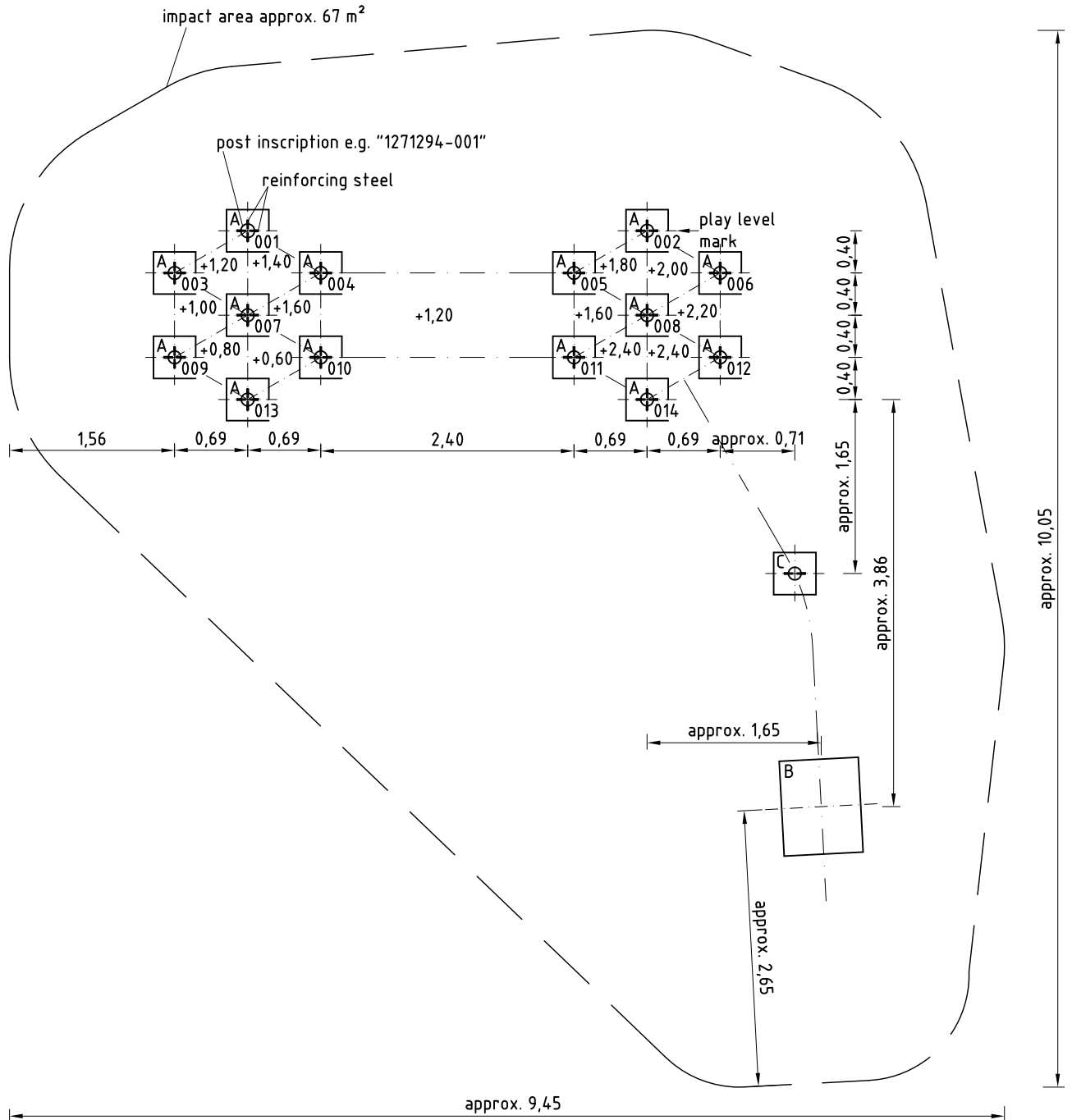
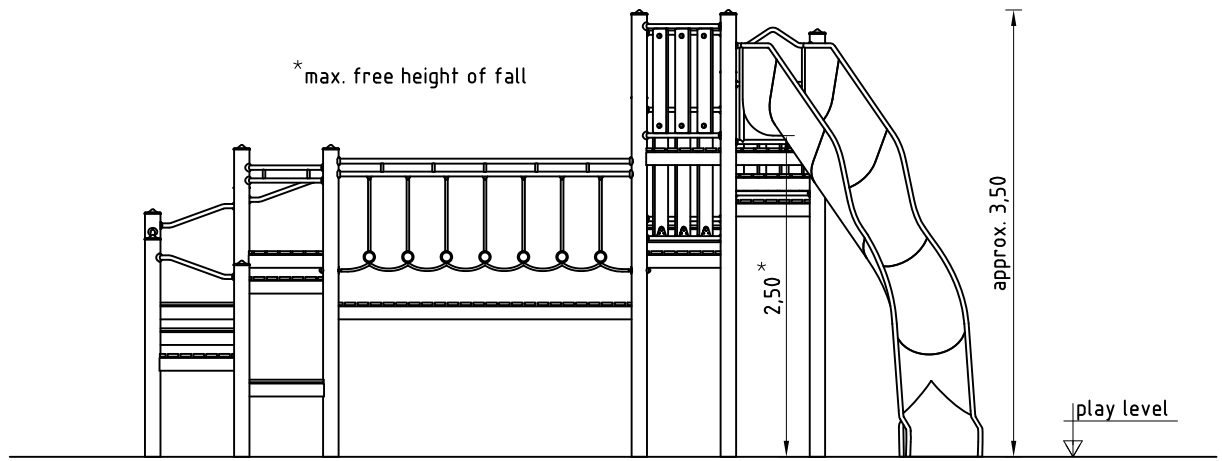
post No.	fastening hole		
	top	middle	bottom
1		x	
2		x	
3		x	
4		x	
5		x	
6		x	
7		x	
8		x	
9		x	
10		x	
11		x	
12	x		
13		x	

Please take care that all special tools (e.g. special Allen key for secured Allen screws etc.) and all specific documents which are or may be useful for safety management acc. to EN 1176-7 (e.g. invoice, delivery note, order acknowledgement, installation instructions, maintenance instructions) are forwarded to the persons responsible.

**Please insert all additional units (slide, handrails etc.) before tightening the screws. It is NOT possible to insert them after some or all screws have already been tightened!**

platform fastening  
scale 1:10





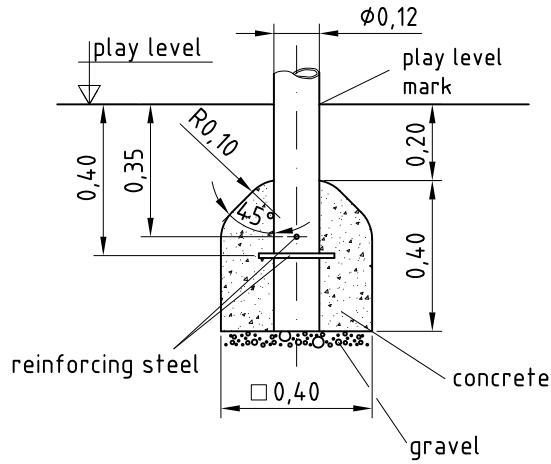
**Please note:**

Due to the format size, this Installation is not on scale (apart from single details).

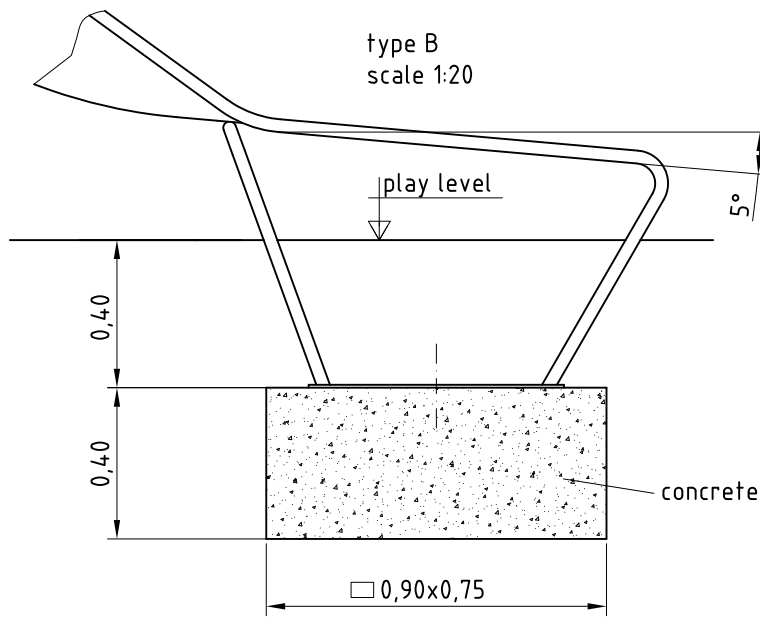
Please refer to the dimensions indicated.

An installation documentation scale 1:50 can be submitted on request.

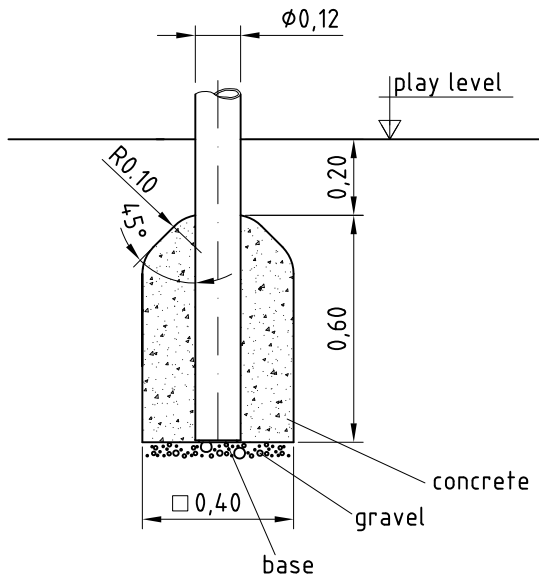
type A  
scale 1:20



type B  
scale 1:20



type C  
scale 1:20

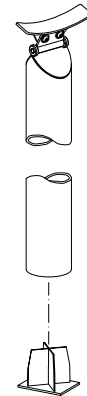


**Operation**

**Base to insert into slide support**  
**scale 1:20**

as follows:

Insert base into stainless steel post.



Item: **0-23336-503**  
K&K Play structure

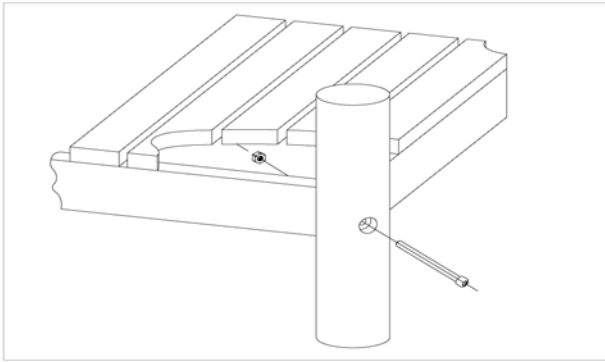
Order:

1292053

Location:

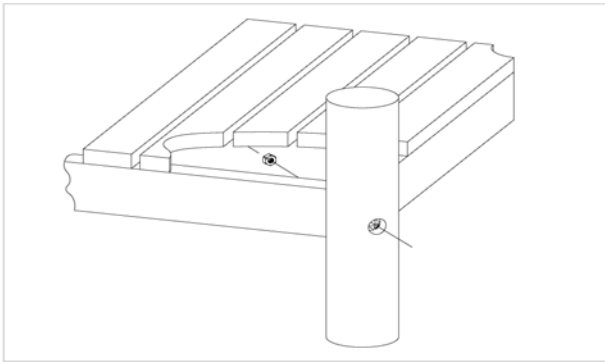
Building Project:

**39 x SFES1200001 Fixing of platform at stainless steel post nut on platform site**



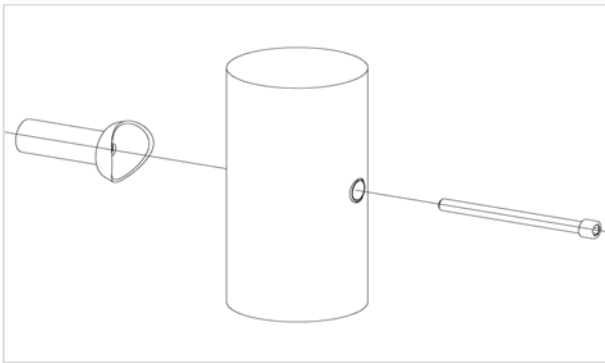
per SC	Total	K&K-Item	Marking
1 x	39 x	3430021	Safety nut M12 DIN985 A2
1 x	39 x	2030169	Cheese head screw M12 x 130 with pin intended to connect ES120-platform onto support post

**1 x SFES1200004 Platform at stainless steel posts factory setting bolt**



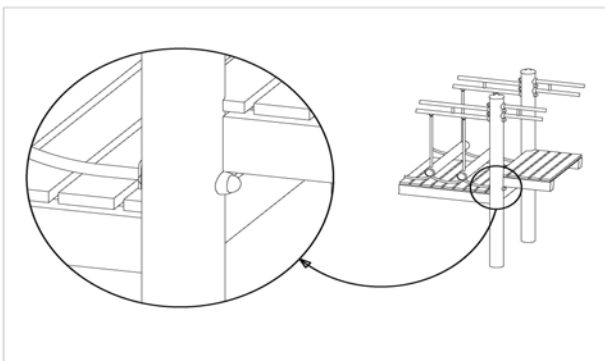
per SC	Total	K&K-Item	Marking
1 x	1 x	3430021	Safety nut M12 DIN985 A2

**44 x SFES1210001 Standard bolting of add-on pieces intended to connect ES120-add-on pieces (except platforms) at support post**



per SC	Total	K&K-Item	Marking
1 x	44 x	2030168	Cheese head screw M12x140 with pin Intended to connect ES120-add-on pieces (except platforms) at support post

**4 x SFRS1200008 Timber course connection-chain for totter bridge at support post**



per SC	Total	K&K-Item	Marking
1 x	4 x	3430021	Safety nut M12 DIN985 A2
1 x	4 x	3300055	Screw cap - upper part M12 P2 colour red/RAL 2002 PA6
1 x	4 x	3430025	Washer Ø 13 DIN125 A2
1 x	4 x	3300054	Screw cap - lower part, domed M12 colour red/RAL 2002 PA6

Item: **0-23336-503**  
K&K Play structure

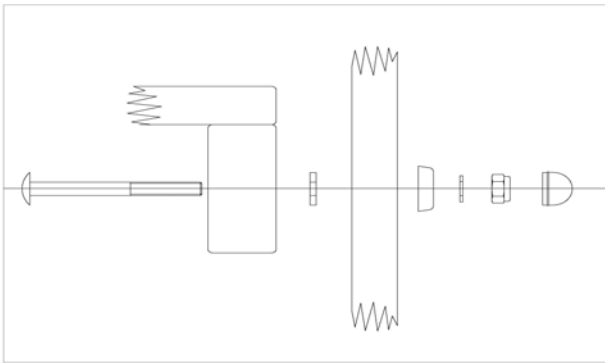
Order:

1292053

Location:

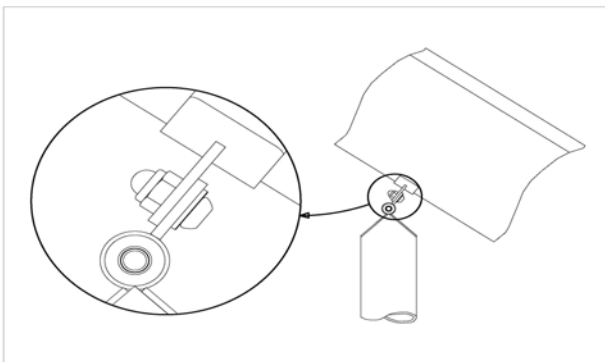
Building Project:

**3 x SFAS1210002 Connection of wooden parapet board at platform**



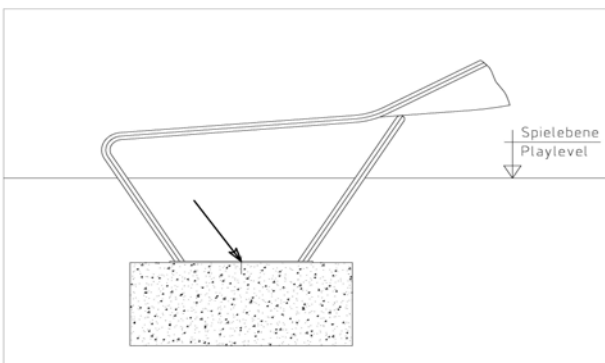
per SC	Total	K&K-Item	Marking
1 x	3 x	3430108	Washer Ø 10,5 DIN 7349 A2
1 x	3 x	3300056	Screw cap M 10 P1 (lower part) white RAL 9010 colour white, RAL 9010, PA6
1 x	3 x	3300057	Screw cover cap M 10 P1 (upper part) white colour white, RAL 9010, PA6
1 x	3 x	3430048	Safety nut M10 A2 DIN 985
1 x	3 x	3430014	Washer Ø 10,5 DIN 125B A2
1 x	3 x	3400651	Mushroom head screw M10 x 95 DIN603 A2 shortened M10 x 100 DIN603

**1 x SFAS1070004 Slide support post at Hill-slide**



per SC	Total	K&K-Item	Marking
2 x	2 x	3430025	Washer Ø 13 DIN125 A2
2 x	2 x	3400622	Dome head security bolt M12 x 25 A2 PinHexagon, safety coated thread

**1 x SFAS1070007 Slide-run-out-section (mini) on foundation**



per SC	Total	K&K-Item	Marking
2 x	2 x	1070365	Stonescrew set for slide-runout M12 x 160

**14 x SFES1270001 Reinforcing steel for stainless steel post**



per SC	Total	K&K-Item	Marking
2 x	28 x	2030199	Reinforcing steel ES120 Ø 12 x 250 1.4301

Item: **0-23336-503**  
K&K Play structure

Order:

1292053

Location:

Building Project:

**1 x SFWZ0000005 Allen key SW8 hexagon socket with drill hole for Pin**

per SC	Total	K&K-Item	Marking
1 x	1 x	3490057	Allen key SW8 hexagon with drill hole for Pin



**1 x SFWZ0000009 Hexagon insert socket driver 10mm 1/2" with borehole for Pin**

per SC	Total	K&K-Item	Marking
1 x	1 x	2030170	Hexagon insert socket driver 10 mm 1/2" with drill hole for Pin



**2 x SFWZ0000012 Lubricating metal (30g box) incl. brush**

per SC	Total	K&K-Item	Marking
1 x	2 x	5300039	Lubricating metal box à 30g
1 x	2 x	5200026	Brush for lubricating metal

