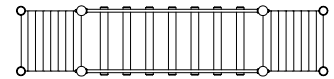


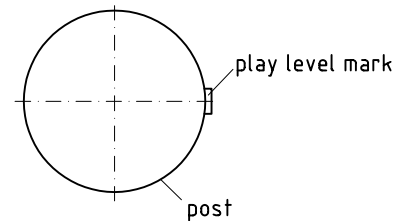
1. Assign location of equipment considering the space requirement.
2. Excavate soil for foundations, according to drawing. Please note: To achieve a maximum of stability and a safe installation a normal level of soil solubility is required.
3. Build in layer of gravel, 10 cm thick, as a drainage between fore-part of steel post and plain base of foundation.
4. Put posts according to post number (e.g. 1271382-001) into their respective holes of foundations. Play level mark (blind rivet), conforms to the mounting depth of post. Fix reinforcing steel and align posts with the help of play level mark, according to detail drawing respectively installation plan. For installation all play level marks have to face in the same direction.
5. **Attention! For installation of the pre-assembled components and/or single parts the screws have to be lubricated with installation paste!**
Screw up platform and post by using the middle fastening hole of the fastening angle.
Tighten all screws after having aligned all components.
Screw connections see list.
6. Grout in foundations with compressed concrete C20/25, chamfer the edges and cover with a surface which shall meet the requirements for impact attenuation so that the critical height of the surfacing shall be equal to or greater than the free height of fall of the equipment (acc. to EN 1176 - 1).
7. Release for play after concrete foundations have set.
8. Check all screw connections acc. to maintenance instructions after 4-5 weeks and screw down again if necessary.
9. Please take care that all special tools (e.g. special Allen key for secured Allen screws etc.) and all specific documents which are or may be useful for safety management acc. to EN 1176-7 (e.g. invoice, delivery note, order acknowledgement, installation instructions, maintenance instructions) are forwarded to the responsible persons.

Please insert all additional units (platforms and totter bridge) before screws are tightened. It is not possible to insert them after some or all screws have already been tightened!

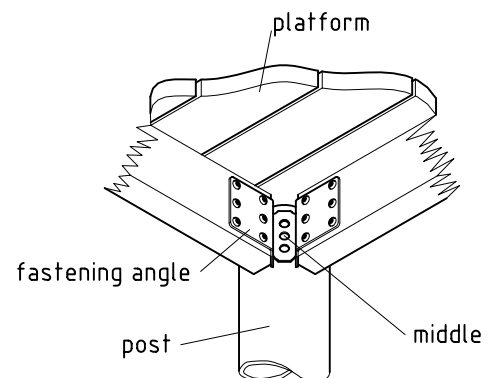
platform direction
scale 1:100

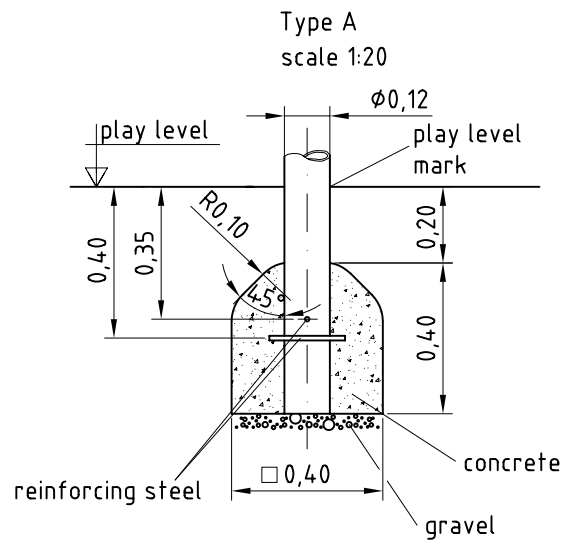
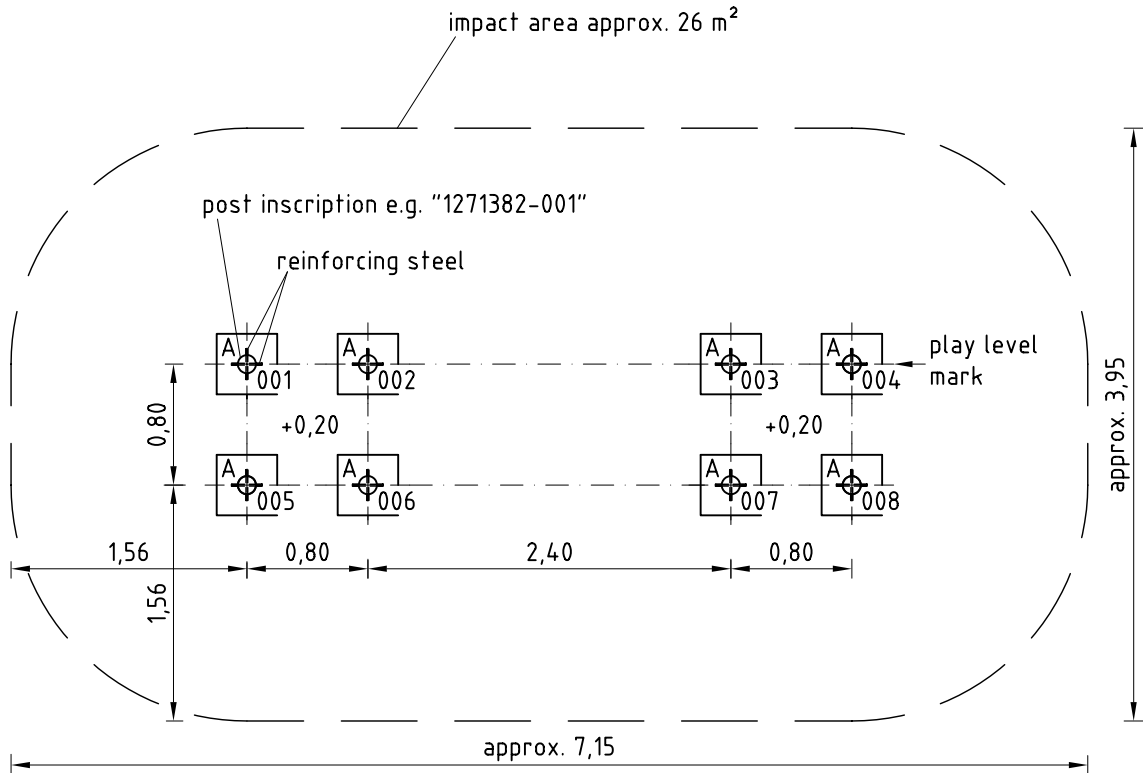
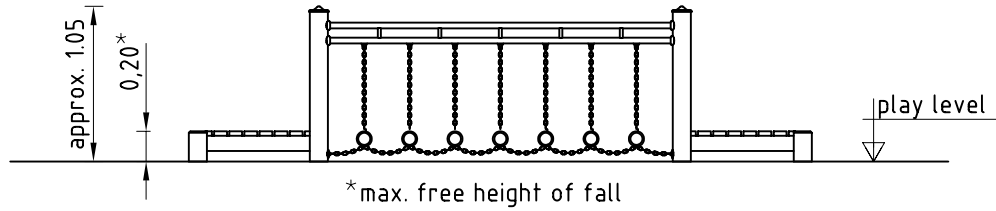


play level mark
scale 1:5



platform fastening
scale 1:10





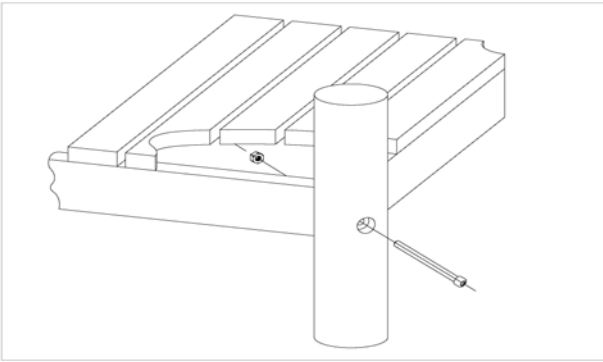
Item: **0-28026-501**
K&K Wackelbrücke
Location:

Order:

1295772

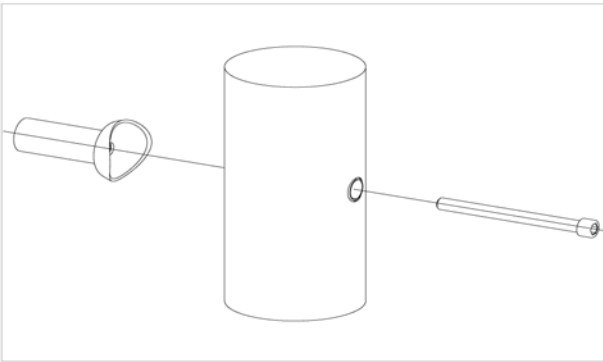
Building Project:

**8 x SFES1200001 Platform at stainless steel post
Nut on platform site**



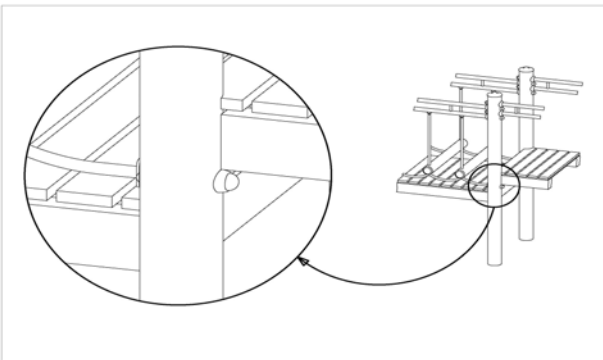
per SC	Total	K&K-Item	Marking
1 x	8 x	3430021	Safety nut M12 DIN985 A2
1 x	8 x	2030169	Cheese head screw M12 x 130 with pin Intended to connect ES120-platform at support post

**8 x SFES1210001 Standard bolting of add-on pieces
e. g. twin-rail of totter bridge at stainless steel post**



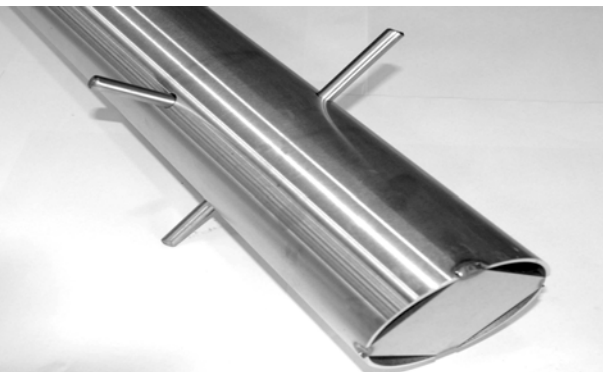
per SC	Total	K&K-Item	Marking
1 x	8 x	2030168	Cheese head screw M12x140 with pin Intended to connect ES120-add-on pieces (except platforms) at support post

**4 x SFRS1200008 Timber course connection-chain
for totter bridge at support post**



per SC	Total	K&K-Item	Marking
1 x	4 x	3430021	Safety nut M12 DIN985 A2
1 x	4 x	3300055	Screw cap - upper part M12 P2 colour red, RAL 2002 PA6
1 x	4 x	3430025	Washer Ø 13 DIN125 A2
1 x	4 x	3300054	Screw cap - lower part, domed M12 colour red, RAL 2002 PA6

8 x SFES1270001 Reinforcing steel for stainless steel post



per SC	Total	K&K-Item	Marking
2 x	16 x	2030199	Reinforcing steel ES120 Ø12 x 0250 1.4301

Item: **0-28026-501**
K&K Wackelbrücke

Order:

1295772

Location: Building Project:

**1 x SFWZ000009 Hexagon insert socket driver 10mm 1/2"
with drill hole for pin**



per SC	Total	K&K-Item	Marking
1 x	1 x	2030170	Hexagon insert socket driver 10mm 1/2" with drill hole for Pin

1 x SFWZ000013 Lubricating metal, twin bag (2 x 4g)



per SC	Total	K&K-Item	Marking
2 x	2 x	5300024	lubricating metal 4g